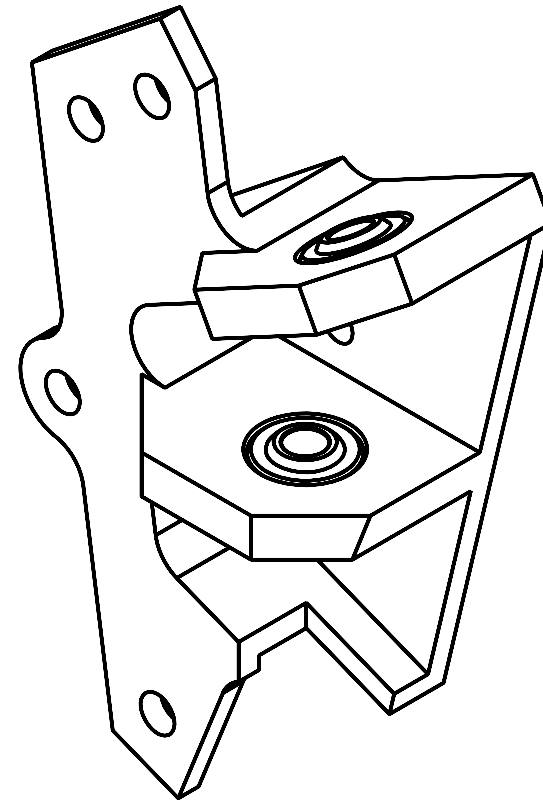
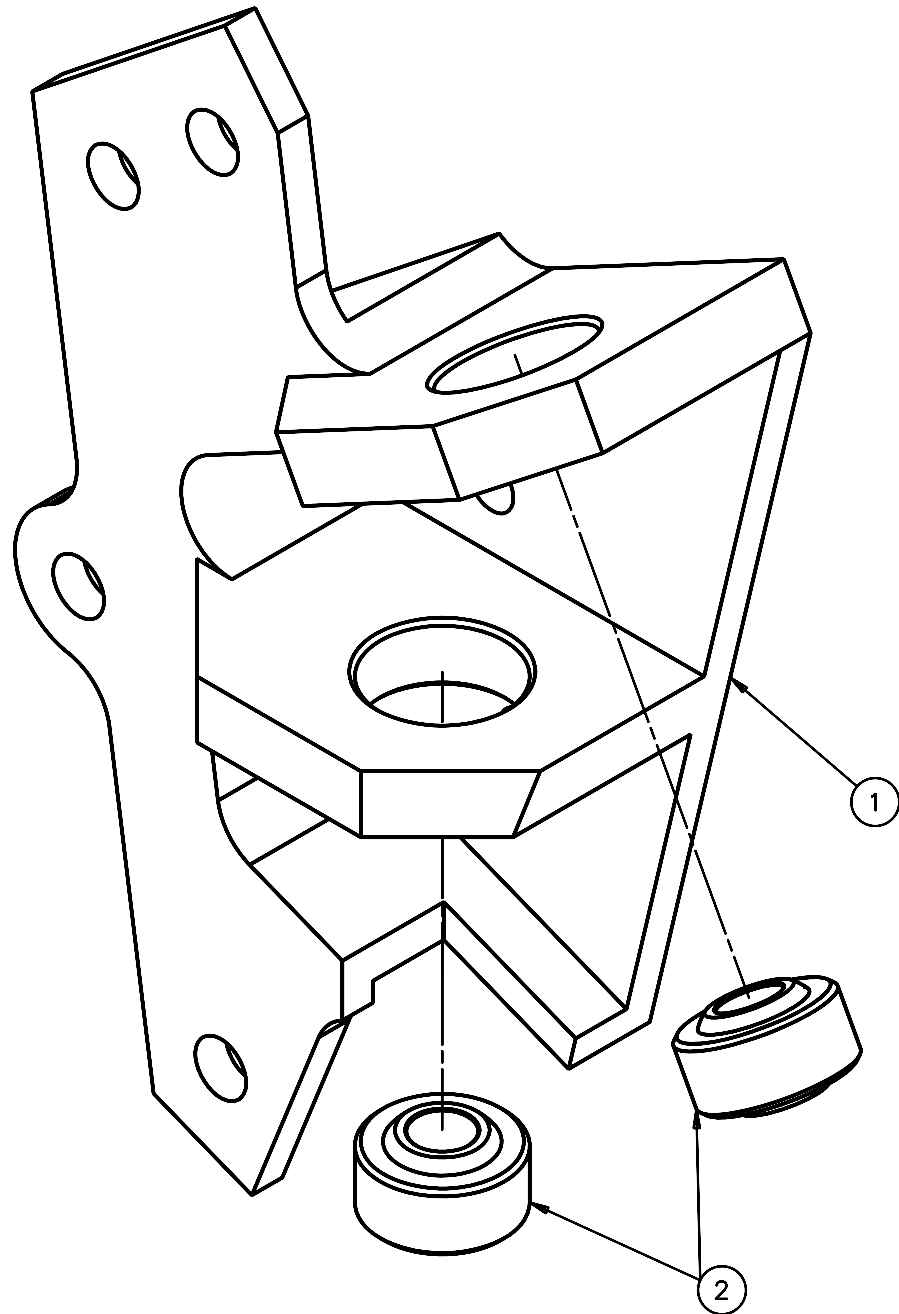


REVISIONS				
LTR	DESCRIPTION	DATE	REVISED BY	APPROVED
A	INITIAL RELEASE	04/22/05	J. BRENNAN	-
B	ADDED REQUIRED QUANTITY	05/18/05	J. BRENNAN	-



2 SUBASSEMBLY REQUIRED.

NOTES:

1. THE USE OF AN ARBOR PRESS OR HYDRAULIC PRESS IS RECOMENDED FOR THE PRESSING INSTALLATION.
2. ALL FORCE IS TO BE APPLIED TO THE BEARING RACE (NOT THE BALL).
3. BEFORE THE STAKING OPERATION, POSITION BEARING SYMMETRICAL ABOUT HOUSING CENTERLINE.
4. ALIGN BEARING WITH STAKING TOOL.
5. A TRIAL STAKE ASSEMBLY SHOULD BE MADE TO DETERMINE STAKING FORCE NECESSARY TO MEET THRUST LOAD REQUIERMENTS.
6. AFTER FIRST STAKE IS COMPLETED ROTATE ASSEMBLY 90° AND RE-APPLY.
7. REPEAT OPERATION THROUGH A MINIMUM OF THREE ROTATIONS TO INSURE 360° UNIFORMITY OF STAKE.
8. A SLIGHT GAP BETWEEN RACE LIP AND HOUSING CHAMFER MAY NOT BE CAUSE FOR REJECTION.

2	MIB-4T	SPHERICAL BEARING .6094 X .2500 X .375	AURORA	2		
1	14488	DEWAR SPPT FTG UPR APEX R BLOCK	X	1		
-3	-2	-1	PART NUMBER	PART DESCRIPTION	MANUFACTURER or MAT'L SPEC	ITEM NO.

LIST OF MATERIALS

DO NOT SCALE DRAWING INTERPRET DIMENSIONS AND TOLERANCES IN ACCORDANCE WITH ASME Y14.5M-94	THIS DRAWING CREATED IN: ACAD <input type="checkbox"/> MECH <input type="checkbox"/> IDEAS <input checked="" type="checkbox"/>	Steward Observatory, University of Arizona 933 N. Cherry Avenue, Tucson, AZ 85721 (520)621-7659			
TOLERANCES UNLESS OTHERWISE SPECIFIED LINEAR .XX ANGULAR .00X DIAMETRICAL SEE SPEC S-002	DESIGNED BY: S. MATHEWS DATE: 10/04	CATEGORY: MMT			
DRAWING ARE IN INCHES / DIMENSIONS IN 1/16 ARE METRIC	DRAWN BY: J. BRENNAN DATE: 04/05	PROJECT: MAESTRO			
MATERIAL	CHECKED BY: D. DEAN DATE: 04/22/05	TITLE: DEWAR SPPT FTG UPR APEX R BLOCK ASSEMBLY			
FINISH	APPROVED: J. BECHTOLD DATE: 04/22/05	DRAWING NUMBER: 14780			
ASSEMBLY APPLICATION	APPROVED: R. WARNER DATE: 04/22/05	REVISION: B			
	APPROVED:	CURRENT TIME/DATE/FILE LOCATION:			
		DRAWING ARCHIVE LOCATION: <a href="http://dovinci.as.arizona.edu/ccad/default.html">http://dovinci.as.arizona.edu/ccad/default.html</a>			