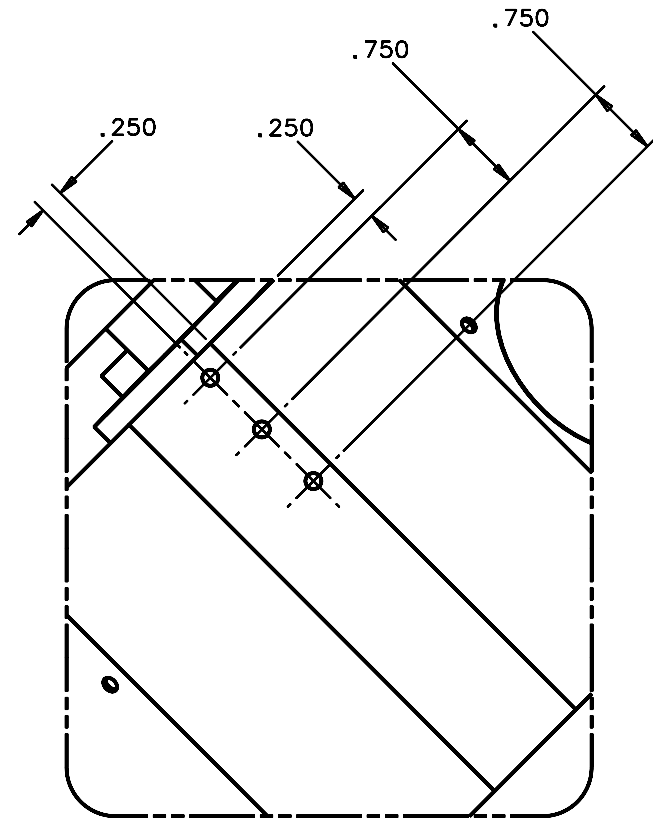
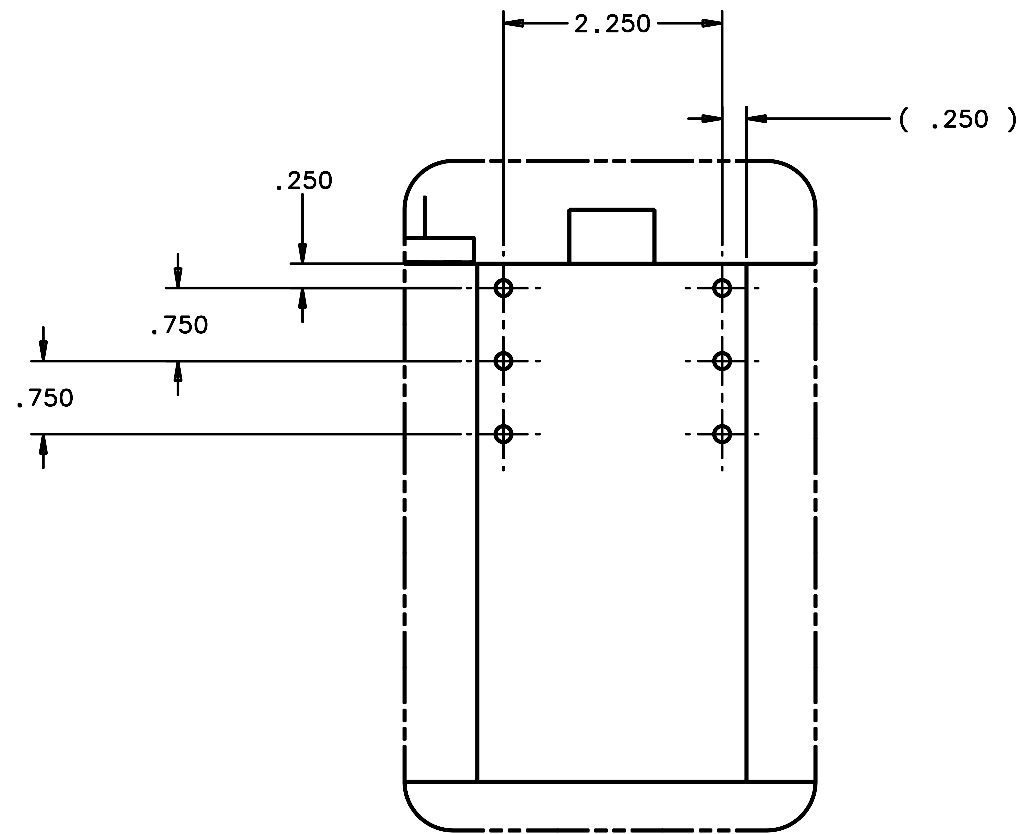


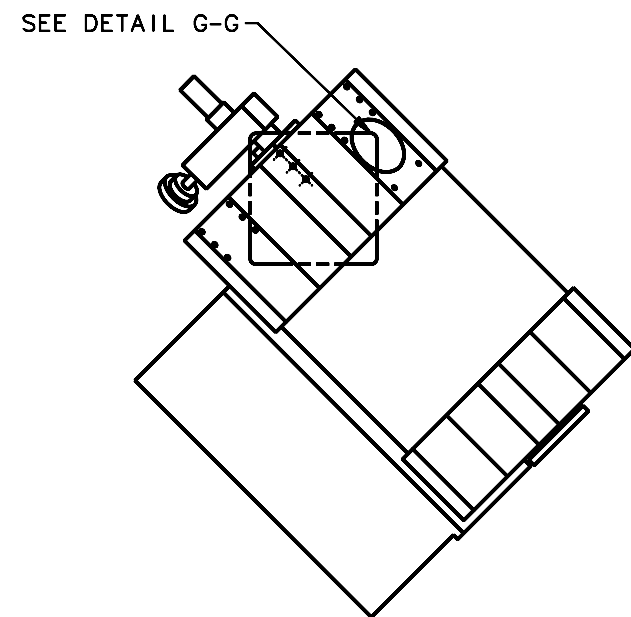
REVISIONS				
LTR	DESCRIPTION	DATE	REVISED BY	APPROVED
A	INITIAL RELEASE	04/22/05	J. BRENNAN	G. LANDIS



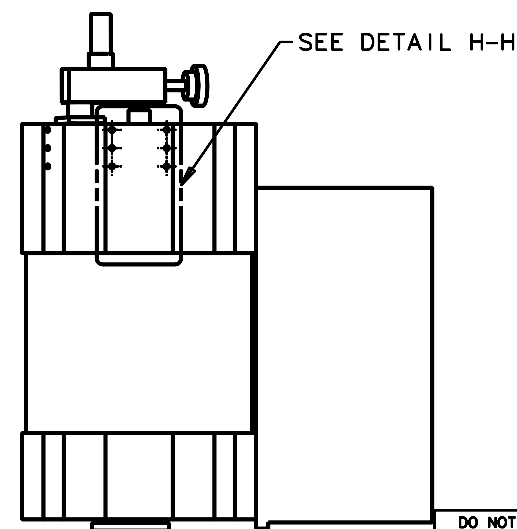
VIEW G-G
THIS SHT



VIEW H-H
THIS SHT



VIEW D-D
SHT 1



VIEW E-E
SHT 1

DO NOT SCALE DRAWING	THIS DRAWING CREATED IN:			Steward Observatory, University of Arizona 933 N. Cherry Avenue, Tucson, AZ 85721 (520)621-7659			
INTERPRET DIMENSIONS AND TOLERANCES IN ACCORDANCE WITH ASME Y14.5M-94	ACAD	MECH	IDEAS	DESIGNED BY:	DATE:	CATEGORY:	
	<input type="checkbox"/>	<input type="checkbox"/>	<input checked="" type="checkbox"/>	D. DEAN	10/25/04	MMT	
TOLERANCES UNLESS OTHERWISE SPECIFIED				DRAWN BY:		PROJECT:	MAESTRO
LINEAR				D. DEAN	01/18/05	TITLE:	DEWAR MOUNTING HOLE LOCATION
ANGULAR				CHECKED BY:			
.X = ±				G. LANDIS	03/21/05		
.XX = ±				APPROVED:			
.XXX = ±				J. BECHTOLD	04/22/05		
DIAMETRICAL				APPROVED:			
SEE SPEC S-002				R. WARNER	04/22/05		
UNLESS OTHERWISE SPECIFIED				APPROVED:		PLOT SIZE	SCALE:
						D	NA
MATERIAL				APPROVED:		DRAWING NUMBER:	REVISION:
						14521	A
				ASSEMBLY APPLICATION			
FINISH				CURRENT TIME/DATE/FILE LOCATION:			
				DRAWING ARCHIVE LOCATION: http://dov1nc1.as.arizona.edu/ocad/dofault.html			