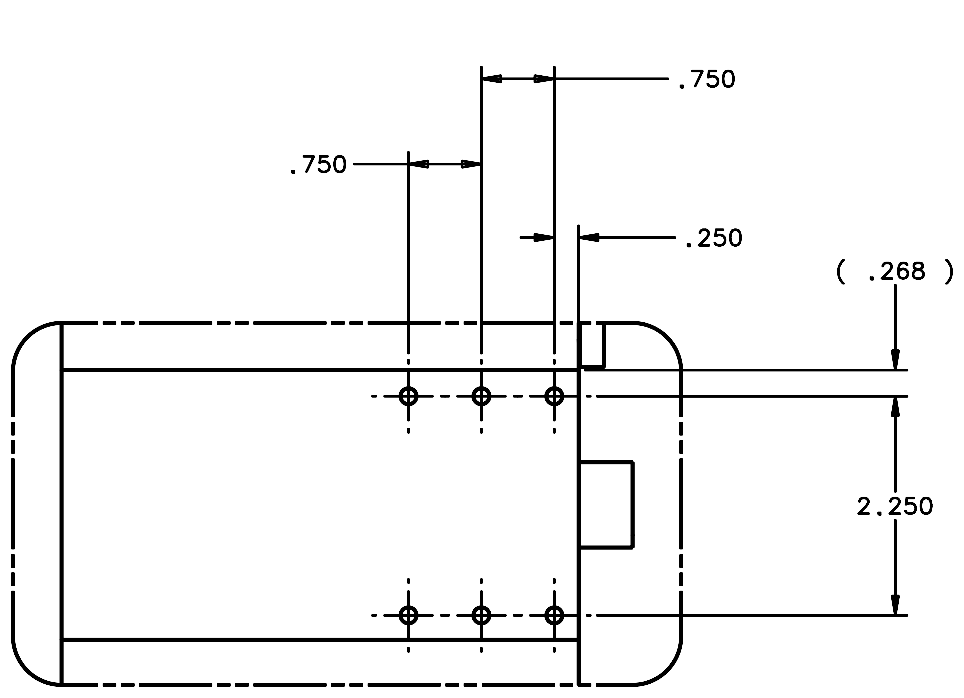
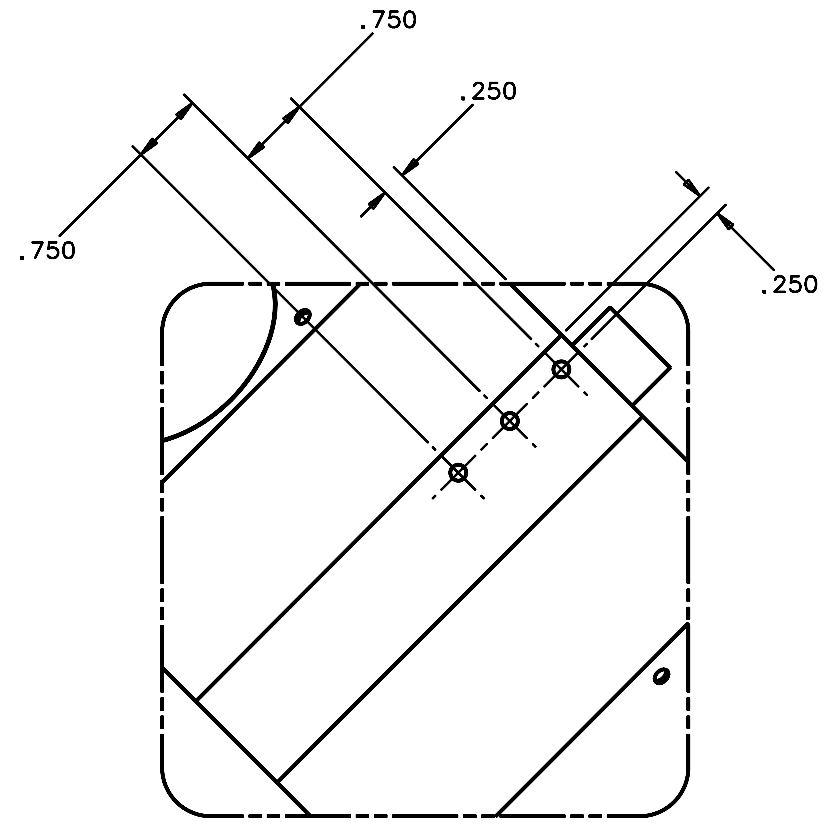


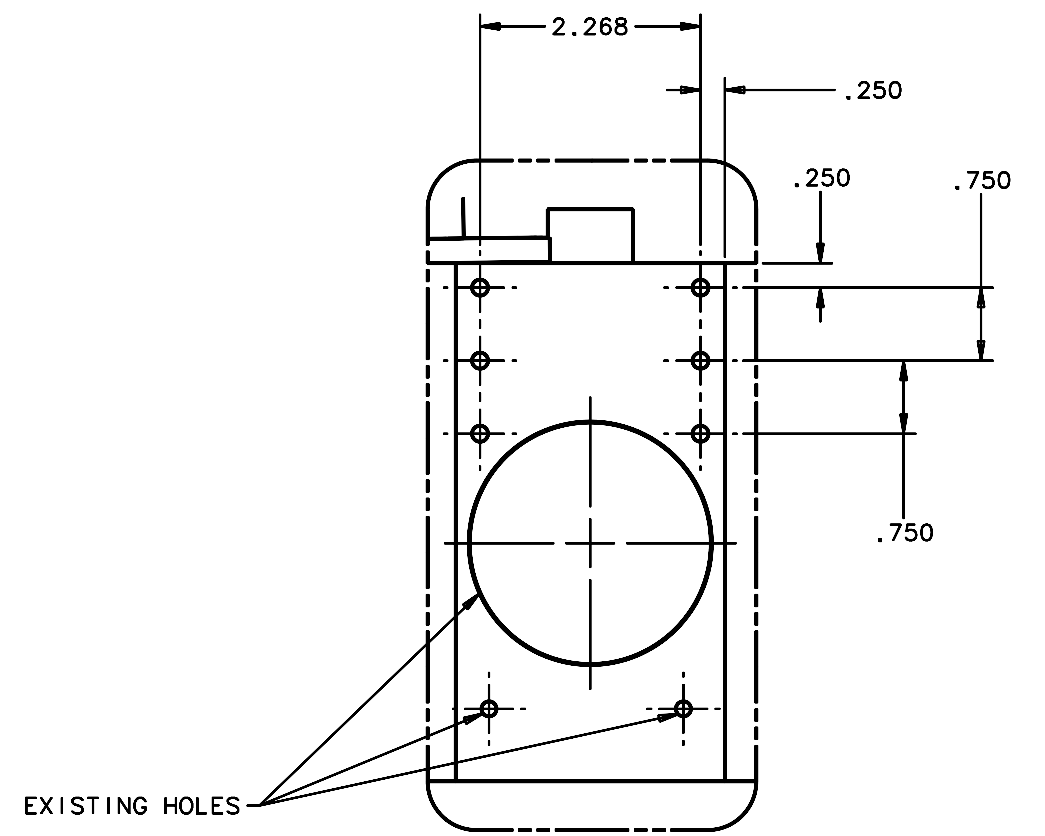
REVISIONS				
LTR	DESCRIPTION	DATE	REVISED BY	APPROVED
A	INITIAL RELEASE	04/22/05	J. BRENNAN	G. LANDIS



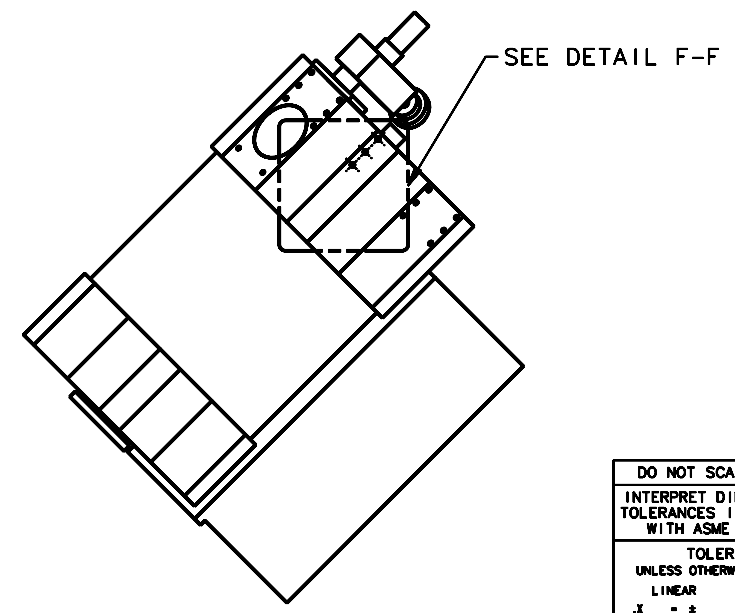
DETAIL A-A  
SHT 1



DETAIL F-F  
THIS SHT



DETAIL C-C  
SHT 1



VIEW B-B  
SHT 1

DO NOT SCALE DRAWING INTERPRET DIMENSIONS AND TOLERANCES IN ACCORDANCE WITH ASME Y14.5M-94	THIS DRAWING CREATED IN: ACAD <input type="checkbox"/> MECH <input type="checkbox"/> IDEAS <input checked="" type="checkbox"/>	Steward Observatory, University of Arizona 933 N. Cherry Avenue, Tucson, AZ 85721 (520)621-7659	
TOLERANCES UNLESS OTHERWISE SPECIFIED LINEAR      ANGULAR .X      = ±      ° ° ° ° .XX      = ±      ° ° ° ° .XXX      = ±      ° ° ° ° DIAMETRICAL SEE SPEC S-002	DESIGNED BY: D. DEAN	DATE: 10/25/04	CATEGORY: MMT
DRIVEN BY: D. DEAN	01/18/05	PROJECT: MAESTRO	
CHECKED BY: G. LANDIS	03/21/05	TITLE: DEWAR MOUNTING HOLE LOCATION	
APPROVED: J. BECHTOLD	04/22/05	PLOT SIZE SCALE: D NA	
APPROVED: R. WARNER	04/22/05	DRAWING NUMBER: 14521	REVISION: A
MATERIAL	MMT-MAESTRO	CURRENT TIME/DATE/FILE LOCATION:	
FINISH	ASSEMBLY APPLICATION	DRAWING ARCHIVE LOCATION: <a href="http://dov1nc1.as.arizona.edu/ocod/dsfault.html">http://dov1nc1.as.arizona.edu/ocod/dsfault.html</a>	
			SHEET 2 OF 3