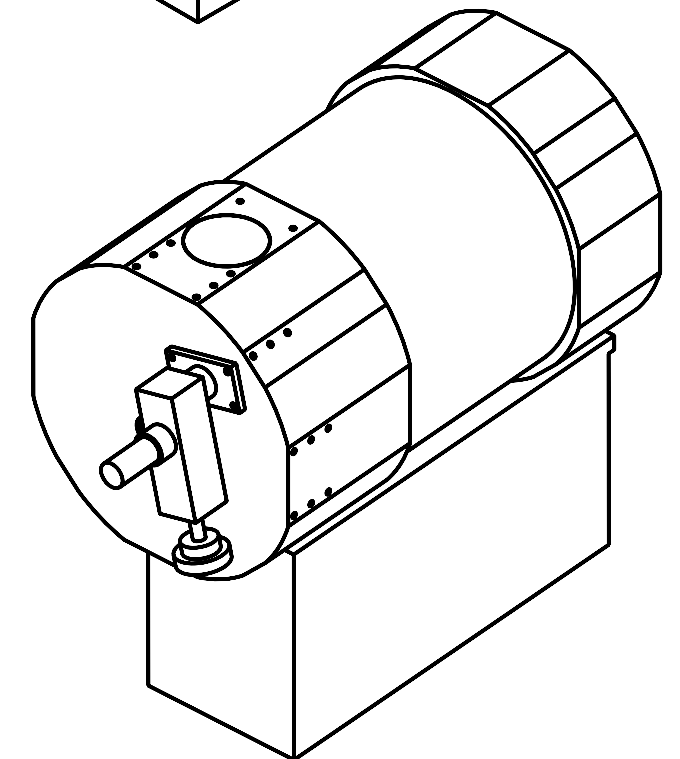
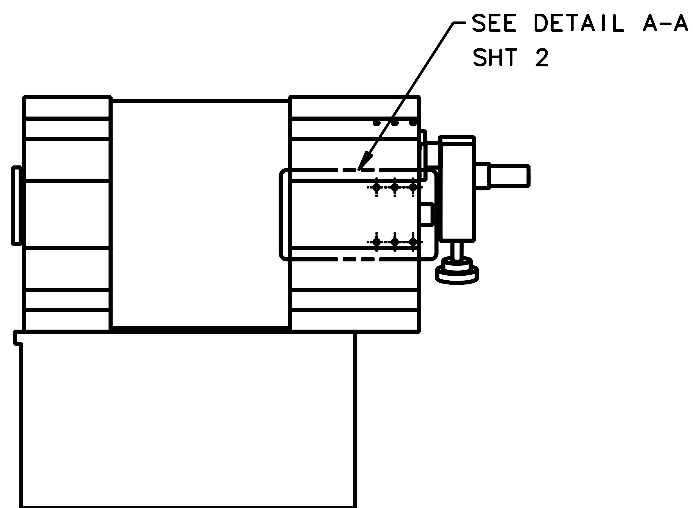
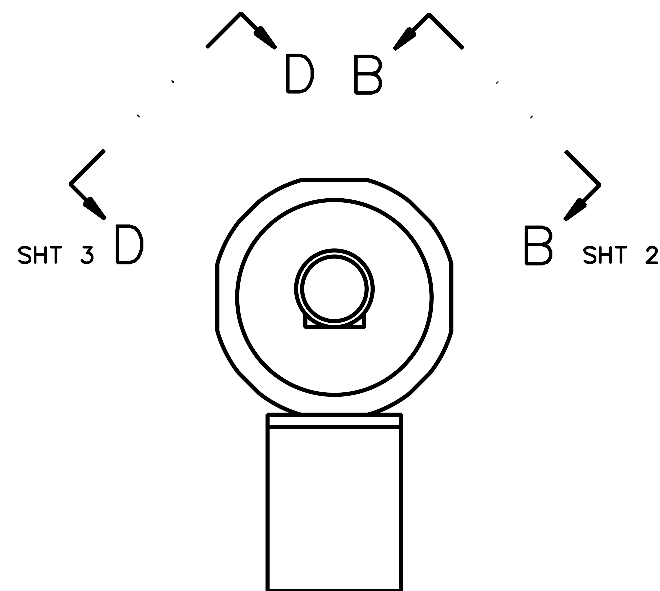
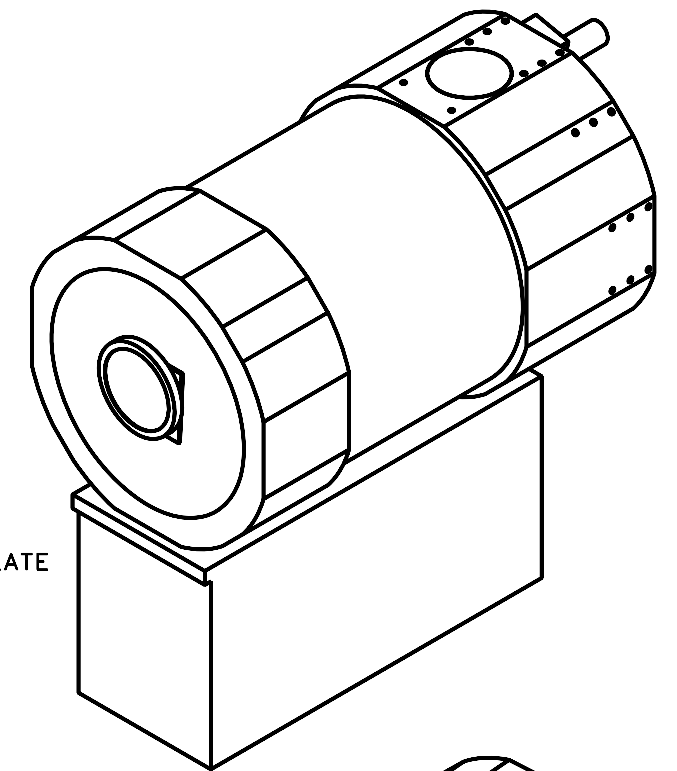
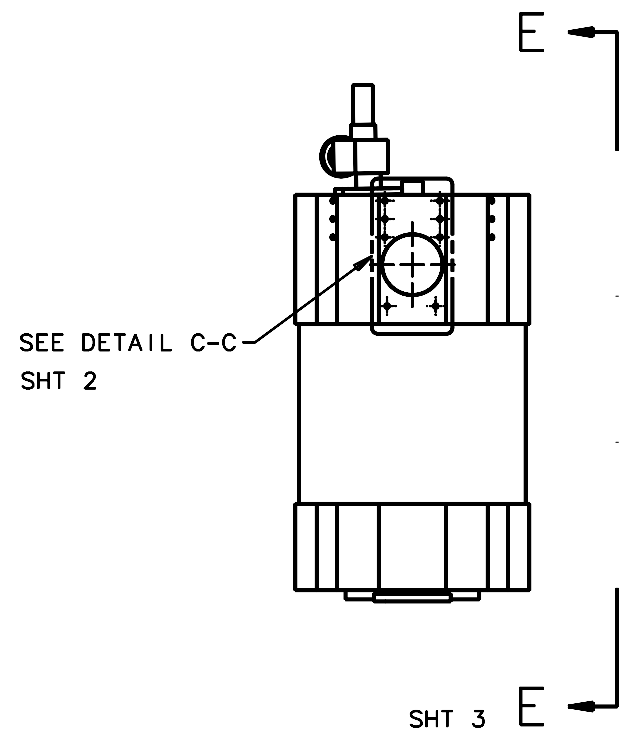


REVISIONS				
LTR	DESCRIPTION	DATE	REVISED BY	APPROVED
A	INITIAL RELEASE	04/22/05	J. BRENNAN	G. LANDIS



NOTES:

1. USE HARDWARE FROM DRAWING 14477 TO LOCATE FINAL HOLE LOCATION IN DEWAR.
2. ALL HOLES IN DEWAR BY U OF A IMAGING TECHNOLOGY LAB.

DO NOT SCALE DRAWING INTERPRET DIMENSIONS AND TOLERANCES IN ACCORDANCE WITH ASME Y14.5M-94		THIS DRAWING CREATED IN: ACAD <input type="checkbox"/> MECH <input type="checkbox"/> IDEAS <input checked="" type="checkbox"/>		Steward Observatory, University of Arizona 933 N. Cherry Avenue, Tucson, AZ 85721 (520)621-7659			
TOLERANCES UNLESS OTHERWISE SPECIFIED LINEAR .X = ± .XX = ± .XXX = ± ANGULAR * * * DIAMETRICAL SEE SPEC S-002		DESIGNED BY: D. DEAN DRAWN BY: D. DEAN CHECKED BY: G. LANDIS APPROVED: J. BECHTOLD APPROVED: R. WARNER		DATE: 10/25/04 CATEGORY: MMT PROJECT: MAESTRO TITLE: DEWAR MOUNTING HOLE LOCATION			
MATERIAL		NEXT ASSY USED ON		PLOT SIZE SCALE: D NA		DRAWING NUMBER: 14521	REVISION: A
FINISH		ASSEMBLY APPLICATION		CURRENT TIME/DATE/FILE LOCATION: DRAWING ARCHIVE LOCATION: <a href="http://dov1nc1.as.arizona.edu/ocad/dofault.html">http://dov1nc1.as.arizona.edu/ocad/dofault.html</a>			SHEET 1 OF 3