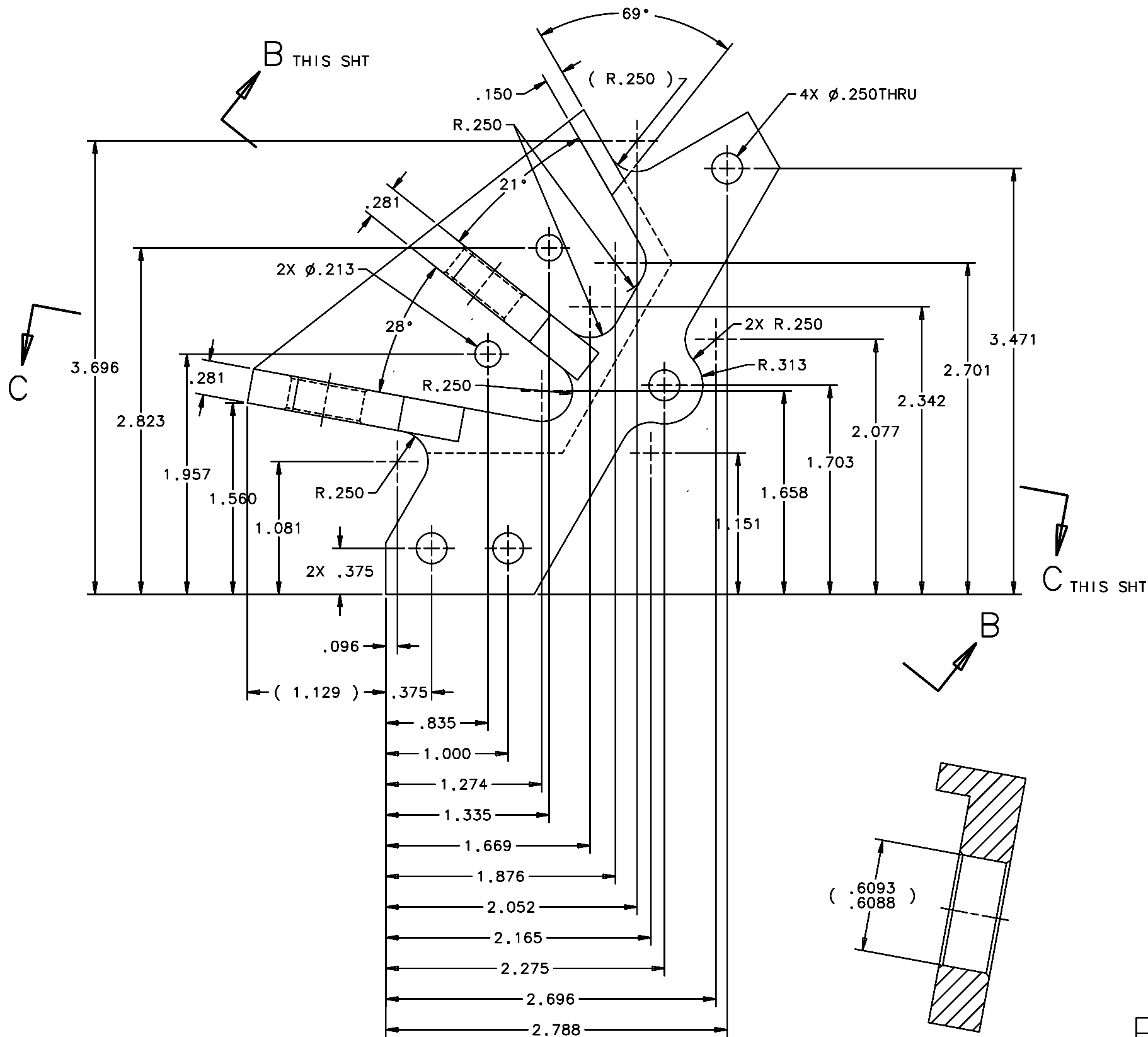
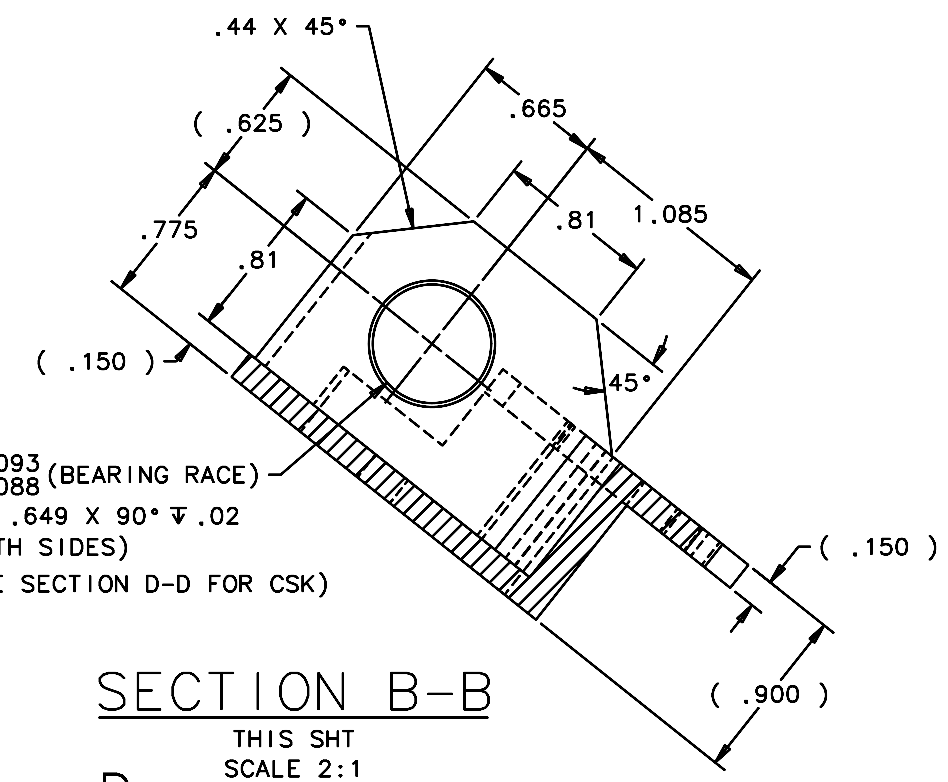


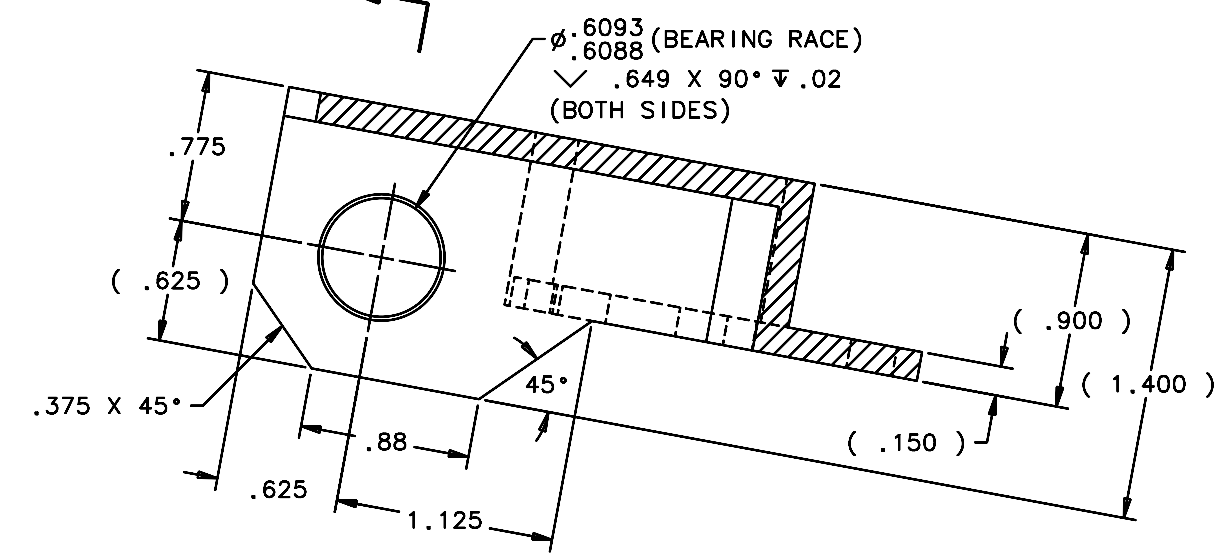
REVISIONS				
LTR	DESCRIPTION	DATE	REVISED BY	APPROVED
A	INITIAL RELEASE	04/22/05	J. BRENNAN	G. LANDIS



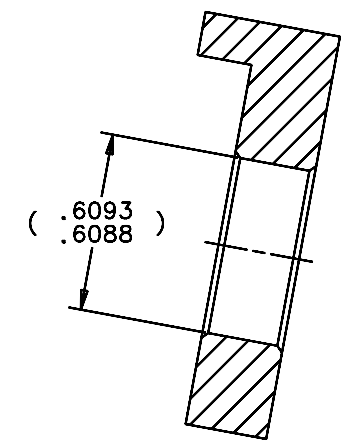
VIEW A-A
SHT 1
SCALE 2:1



SECTION B-B
THIS SHT
SCALE 2:1



SECTION C-C
THIS SHT
SCALE 2:1



SECTION D-D
THIS SHT
SCALE 3:1

DO NOT SCALE DRAWING INTERPRET DIMENSIONS AND TOLERANCES IN ACCORDANCE WITH ASME Y14.5M-94		THIS DRAWING CREATED IN: ACAD <input type="checkbox"/> MECH <input type="checkbox"/> IDEAS <input checked="" type="checkbox"/>		Steward Observatory, University of Arizona 933 N. Cherry Avenue, Tucson, AZ 85721 (520)621-7659	
TOLERANCES UNLESS OTHERWISE SPECIFIED LINEAR .XX = ±.02 .XXX = ±.008 ANGULAR ±1/2° DIAMETRICAL SEE SPEC 5-002		DESIGNED BY: S. MATHEWS	DATE: 10/04	CATEGORY: MMT	
		DRAWN BY: D. DEAN	DATE: 1/13/05	PROJECT: MAESTRO	
		CHECKED BY: G. LANDIS	DATE: 03/21/05	TITLE: DEWAR SPPT FTG UPR APEX R BLOCK	
		APPROVED: J. BECHTOLD	DATE: 04/22/05		
		APPROVED: R. WARNER	DATE: 04/22/05		
MATERIAL 6061-T6 ALUMINUM ALLOY	14477	MMT-MAESTRO	APPROVED:	PLOT SIZE SCALE: D -	DRAWING NUMBER: 14488
FINISH ③	ASSEMBLY APPLICATION	APPROVED:	APPROVED:	REVISION: A	
CURRENT TIME/DATE/FILE LOCATION: DRAWING ARCHIVE LOCATION: http://dovinci.as.arizona.edu/oced/dsfault.html					