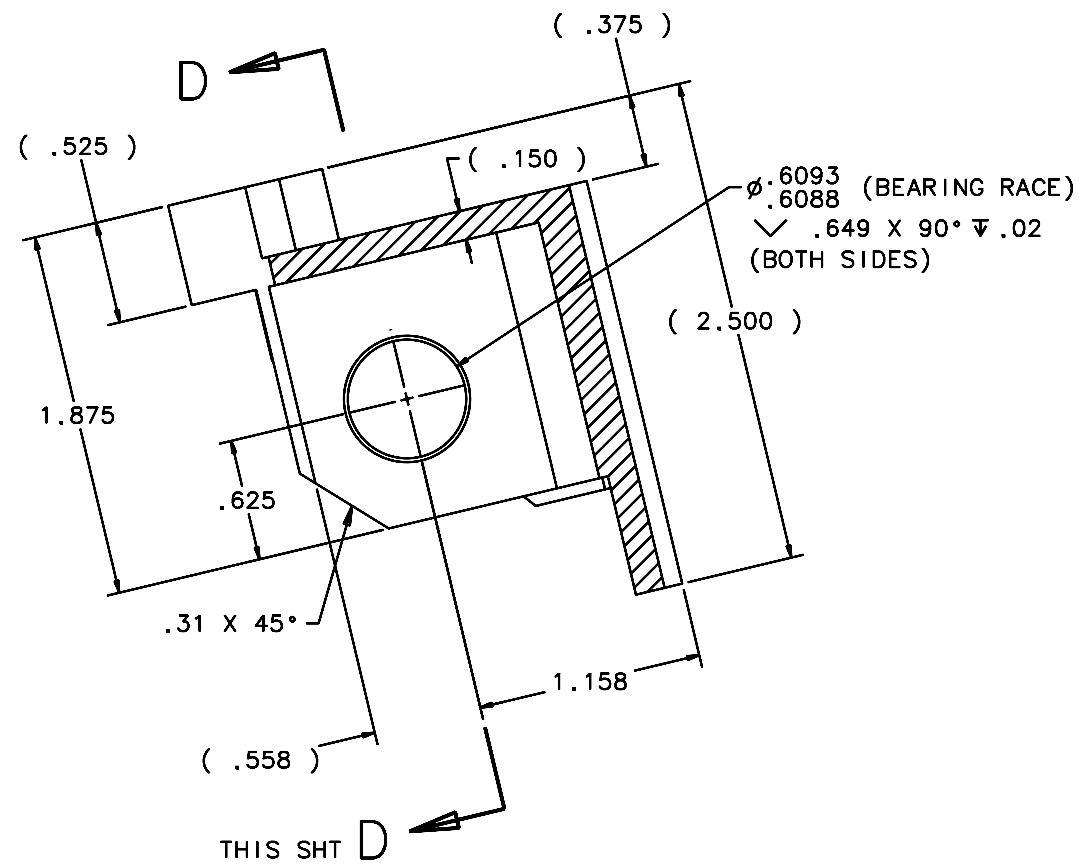
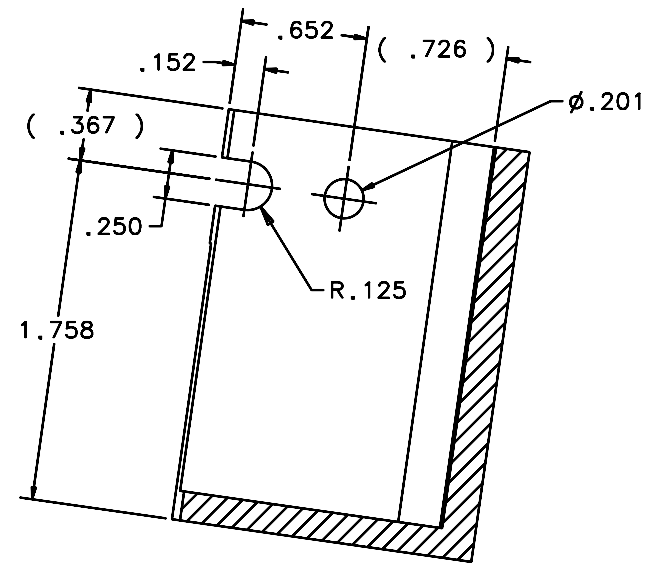


REVISIONS				
LTR	DESCRIPTION	DATE	REVISED BY	APPROVED
A	INITIAL RELEASE	04/22/05	J. BRENNAN	G. LANDIS



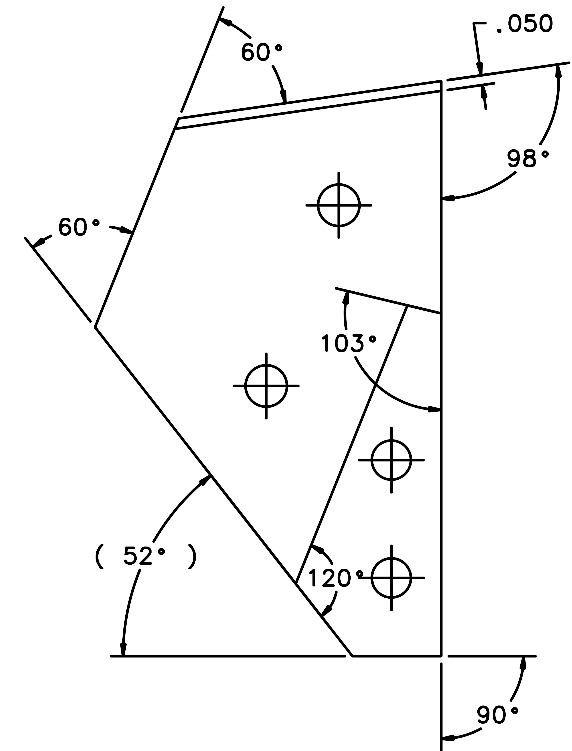
SECTION A-A

SHT 1
SCALE 2:1



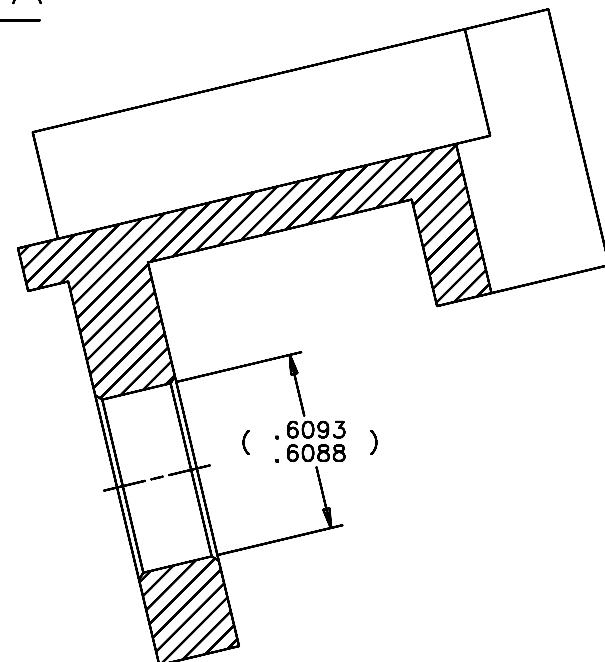
SECTION B-B

SHT 1
SCALE 2:1



VIEW C-C

SHT 1
SCALE 2:1



SECTION D-D

THIS SHT
SCALE 3:1

DO NOT SCALE DRAWING INTERPRET DIMENSIONS AND TOLERANCES IN ACCORDANCE WITH ASME Y14.5M-94		THIS DRAWING CREATED IN: ACAD <input type="checkbox"/> MECH <input type="checkbox"/> IDEAS <input checked="" type="checkbox"/>		Steward Observatory, University of Arizona 933 N. Cherry Avenue, Tucson, AZ 85721 (520)621-7659	
TOLERANCES UNLESS OTHERWISE SPECIFIED LINEAR .XX ± .02 .XXX ± .008 ANGULAR ±1/2° DIAMETRICAL SEE SPEC S-002		DESIGNED BY: S. MATHEWS DRAWN BY: D. DEAN CHECKED BY: G. LANDIS APPROVED: J. BECHTOLD APPROVED: R. WARNER		DATE: 10/04 11/30/04 03/21/05 04/22/05 04/22/05	
MATERIAL 6061-6T ALUMINUM ALLOY		14477 MMT-MAESTRO NEXT ASSY USED ON		CATEGORY: MMT PROJECT: MAESTRO TITLE: DEWAR SPPT FTG UPR AFT APEX L BLOCK	
FINISH ③		ASSEMBLY APPLICATION		PLOT SIZE SCALE: D - DRAWING NUMBER: 14486 REVISION: A	
CURRENT TIME/DATE/FILE LOCATION: DRAWING ARCHIVE LOCATION: http://devinci.es.arizona.edu/ocad/default.html				SHEET 2 OF 2	