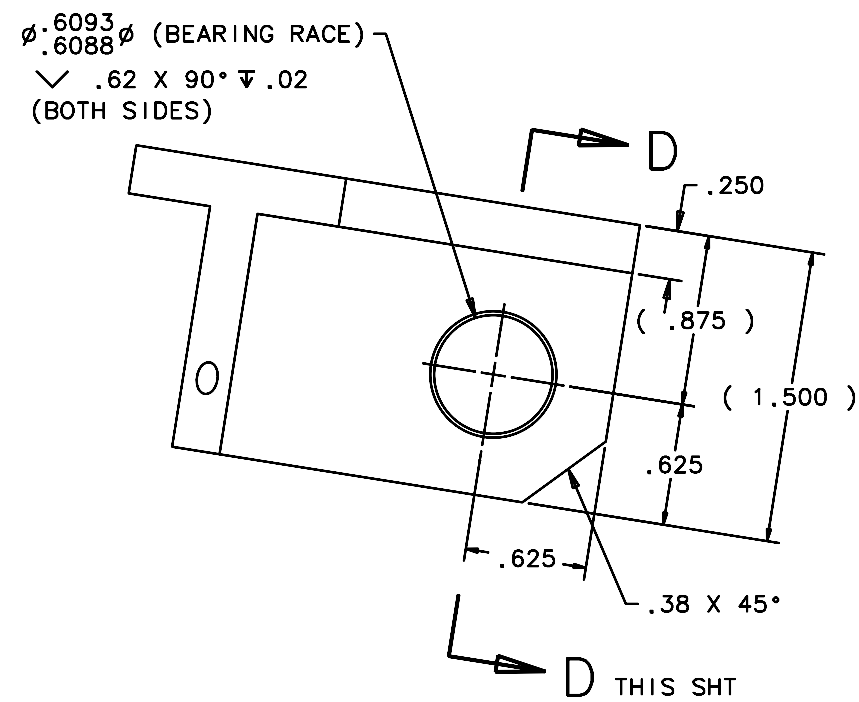
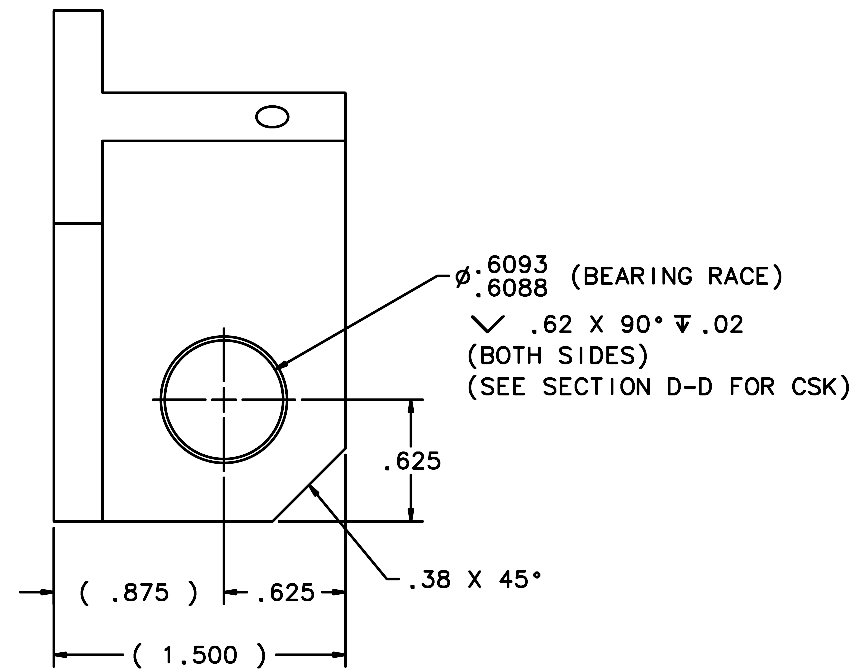


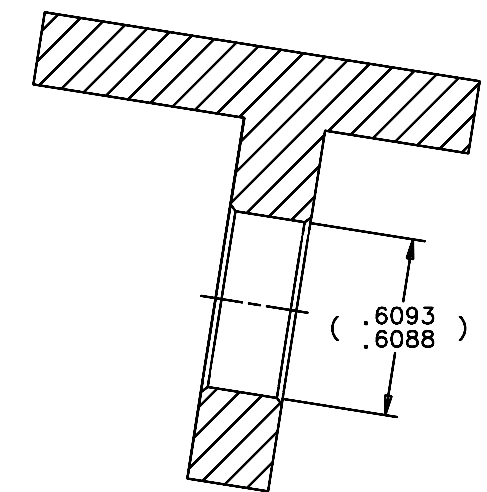
REVISIONS				
LTR	DESCRIPTION	DATE	REVISED BY	APPROVED
A	INITIAL RELEASE	04/22/05	J. BRENNAN	G. LANDIS



VIEW B-B
SHT 1
SCALE 2:1



VIEW C-C
SHT 1
SCALE 2:1



SECTION D-D
THIS SHT
SCALE 3:1

DO NOT SCALE DRAWING INTERPRET DIMENSIONS AND TOLERANCES IN ACCORDANCE WITH ASME Y14.5M-94		THIS DRAWING CREATED IN: ACAD <input type="checkbox"/> MECH <input type="checkbox"/> IDEAS <input checked="" type="checkbox"/>		Steward Observatory, University of Arizona 933 N. Cherry Avenue, Tucson, AZ 85721 (520)621-7659	
TOLERANCES UNLESS OTHERWISE SPECIFIED LINEAR ANGULAR .X ± .02 ± 1/2° .XX ± .02 .XXX ± .008 DIAMETRICAL SEE SPEC S-002		DESIGNED BY: S. MATHEWS DATE: 10/04 CATEGORY: MMT		DRAWN BY: D. DEAN DATE: 11/30/04 PROJECT: MAESTRO	
DIMENSIONS ARE IN INCHES / DIMENSIONS IN [] ARE METRIC		CHECKED BY: G. LANDIS DATE: 03/21/05 TITLE: DEWAR SPPT FTG LWR FRD RING BLOCK		APPROVED BY: J. BECHTOLD DATE: 04/22/05	
MATERIAL: 6061-76 ALUMINUM ALLOY		APPROVED BY: R. WARNER DATE: 04/22/05		PLOT SIZE SCALE: D -	
FINISH: 3		NEXT ASSY USED ON		DRAWING NUMBER: 14483	
ASSEMBLY APPLICATION		CURRENT TIME/DATE/FILE LOCATION:		REVISION: A	
		DRAWING ARCHIVE LOCATION: http://dvinci1.cs.arizona.edu/ccod/default.html		SHEET 2 OF 2	