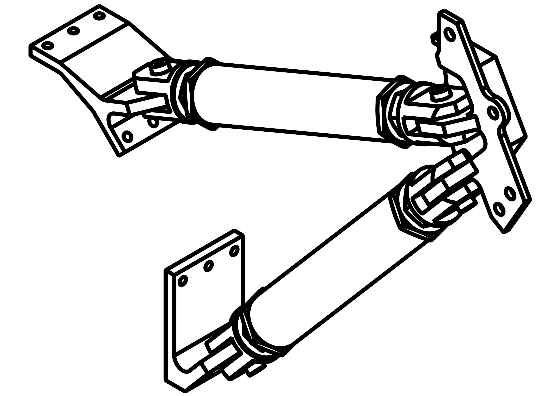
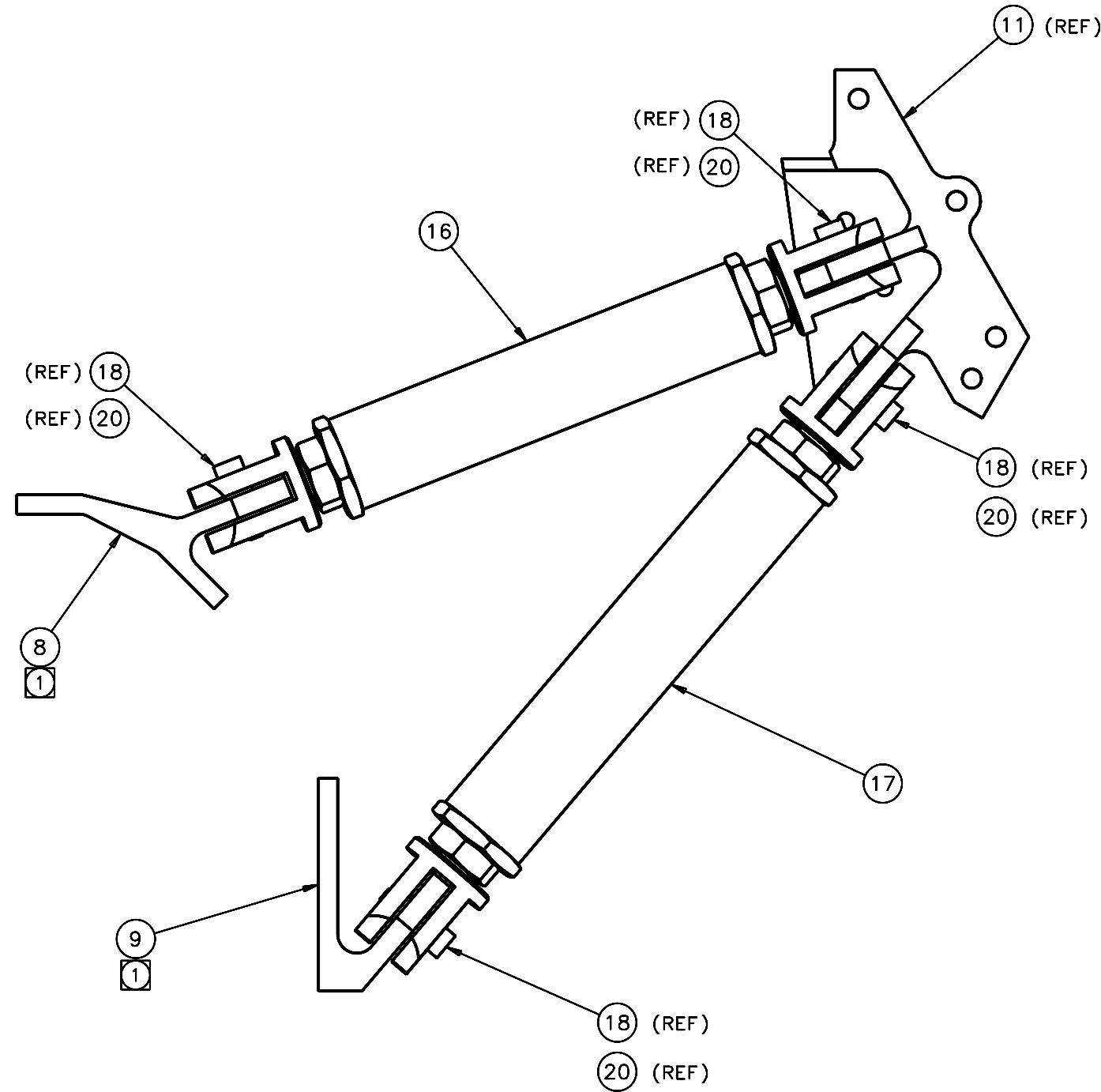


REVISIONS				
LTR	DESCRIPTION	DATE	REVISED BY	APPROVED
A	INITIAL RELEASE	04/21/05	J. BRENNAN	G. LANDIS
B	ADDED ITEMS 19, AND CORRESPONDING VIEWS	04/26/05	J. BRENNAN	-
C	ADDED ITEMS 20 (SPHERICAL BEARINGS) TO LIST OF MATERIALS	05/19/05	J. BRENNAN	-



ISO

DO NOT SCALE DRAWING INTERPRET DIMENSIONS AND TOLERANCES IN ACCORDANCE WITH ASME Y14.5M-94		THIS DRAWING CREATED IN: ACAD <input type="checkbox"/> MECH <input type="checkbox"/> IDEAS <input checked="" type="checkbox"/>		Steward Observatory, University of Arizona 933 N. Cherry Avenue, Tucson, AZ 85721 (520)621-7659		
TOLERANCES UNLESS OTHERWISE SPECIFIED LINEAR ANGULAR .X ± ° ±' .XX ± ° ±' .XXX ± ° ±' DIAMETRICAL SEE SPEC S-002 <small>DIMENSIONS ARE IN INCHES / DIMENSIONS IN [] ARE METRIC</small>		DESIGNED BY: S. MATHEWS	DATE: 9/10/03	CATEGORY: MMT		
MATERIAL		DRAWN BY: D. DEAN	1/3/05	PROJECT: MAESTRO		
FINISH		CHECKED BY: G. LANDIS	03/21/05	TITLE: DEWAR MOUNTING ASSEMBLY		
ASSEMBLY APPLICATION		APPROVED: J. BECHTOLD	04/21/05	REVISION: C		
		APPROVED: R. WARNER	04/21/05	PLOT SIZE SCALE: D NA		DRAWING NUMBER: 14477
		CURRENT TIME/DATE/FILE LOCATION:			REVISION: C	
		DRAWING ARCHIVE LOCATION: http://dovinci.ee.arizona.edu/ocod/default.html			SHEET 7 OF 8	