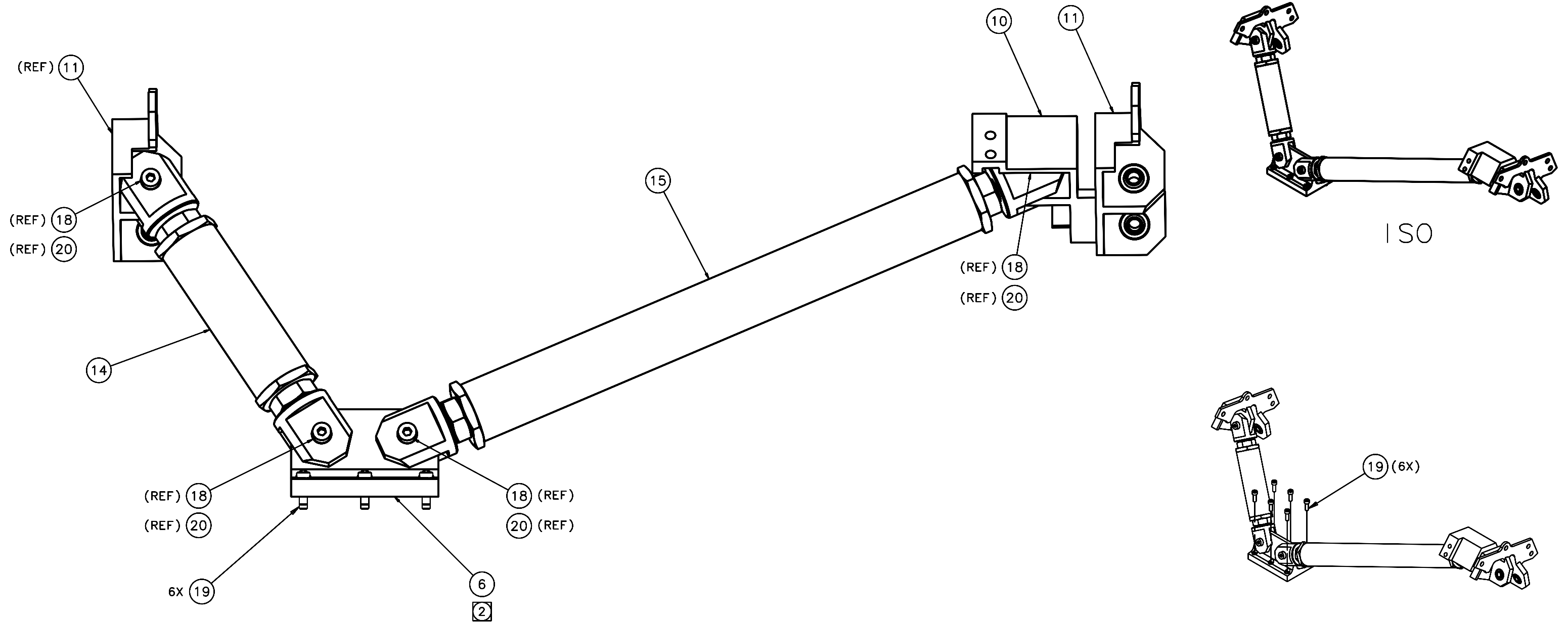


REVISIONS				
LTR	DESCRIPTION	DATE	REVISED BY	APPROVED
A	INITIAL RELEASE	04/21/05	J. BRENNAN	G. LANDIS
B	ADDED ITEMS 19, AND CORRESPONDING VIEWS	04/26/05	J. BRENNAN	-
C	ADDED ITEMS 20 (SPHERICAL BEARINGS) TO LIST OF MATERIALS	05/19/05	J. BRENNAN	-



DO NOT SCALE DRAWING INTERPRET DIMENSIONS AND TOLERANCES IN ACCORDANCE WITH ASME Y14.5M-94		THIS DRAWING CREATED IN: ACAD <input type="checkbox"/> MECH <input type="checkbox"/> IDEAS <input checked="" type="checkbox"/>		Steward Observatory, University of Arizona 933 N. Cherry Avenue, Tucson, AZ 85721 (520)621-7659		
TOLERANCES UNLESS OTHERWISE SPECIFIED LINEAR            ANGULAR .X            ± .005 .XX           ± .002 .XXX          ± .001 DIAMETRICAL SEE SPEC S-002		DESIGNED BY: S. MATHEWS		DATE: 9/10/03	CATEGORY: MMT	
DIMENSIONS ARE IN INCHES / DIMENSIONS IN 1 LINE METRIC		DRAWN BY: D. DEAN		DATE: 1/3/05	PROJECT: MAESTRO	
MATERIAL		CHECKED BY: G. LANDIS		DATE: 03/21/05	TITLE: DEWAR MOUNTING ASSEMBLY	
FINISH		APPROVED: J. BECHTOLD		DATE: 04/21/05	DRAWING NUMBER: 14477	
ASSEMBLY APPLICATION		APPROVED: R. WARNER		DATE: 04/21/05	PLOT SIZE SCALE: D NA	REVISION: C
CURRENT TIME/DATE/FILE LOCATION:				DRAWING ARCHIVE LOCATION: <a href="http://dovinci.es.arizona.edu/ocod/default.html">http://dovinci.es.arizona.edu/ocod/default.html</a>		SHEET 6 OF 8