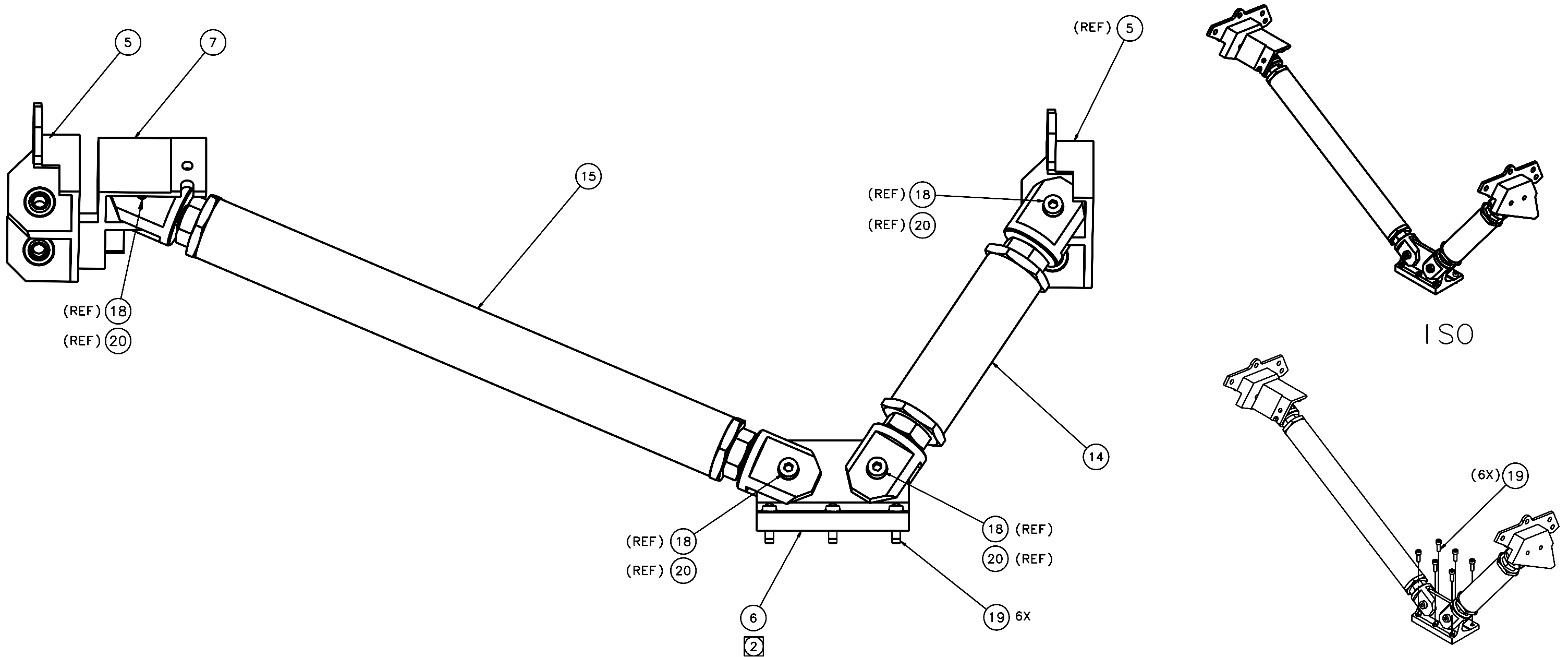


REVISIONS				
LTR	DESCRIPTION	DATE	REVISED BY	APPROVED
A	INITIAL RELEASE	04/21/05	J. BRENNAN	G. LANDIS
B	ADDED ITEMS 19, AND CORRESPONDING VIEWS	04/26/05	J. BRENNAN	-
C	ADDED ITEMS 20 (SPHERICAL BEARINGS) TO LIST OF MATERIALS	05/19/05	J. BRENNAN	-



DO NOT SCALE DRAWING INTERPRET DIMENSIONS AND TOLERANCES IN ACCORDANCE WITH ASME Y14.5M-94		THIS DRAWING CREATED IN: ACAD <input type="checkbox"/> MECH <input type="checkbox"/> IDEAS <input checked="" type="checkbox"/>		Steward Observatory, University of Arizona 933 N. Cherry Avenue, Tucson, AZ 85721 (520)621-7659			
TOLERANCES UNLESS OTHERWISE SPECIFIED LINEAR ANGULAR .X ± ° ±' .XX ± ° ±' .XXX ± ° ±' DIAMETRICAL SEE SPEC S-002 <small>DIMENSIONS ARE IN INCHES / DIMENSIONS IN 1 LINE METRIC</small>		DESIGNED BY: S. MATHEWS	DATE: 9/10/03	CATEGORY: MMT			
MATERIAL		DRAWN BY: D. DEAN	DATE: 1/3/05	PROJECT: MAESTRO			
FINISH		CHECKED BY: G. LANDIS	DATE: 03/21/05	TITLE: DEWAR MOUNTING ASSEMBLY			
ASSEMBLY APPLICATION		APPROVED: J. BECHTOLD	DATE: 04/21/05	DRAWING NUMBER: 14477			
		APPROVED: R. WARNER	DATE: 04/21/05	PLOT SIZE: D	SCALE: NA	REVISION: C	
CURRENT TIME/DATE/FILE LOCATION:				DRAWING ARCHIVE LOCATION: http://devinci.es.arizona.edu/ccod/default.html		SHEET 5 OF 8	