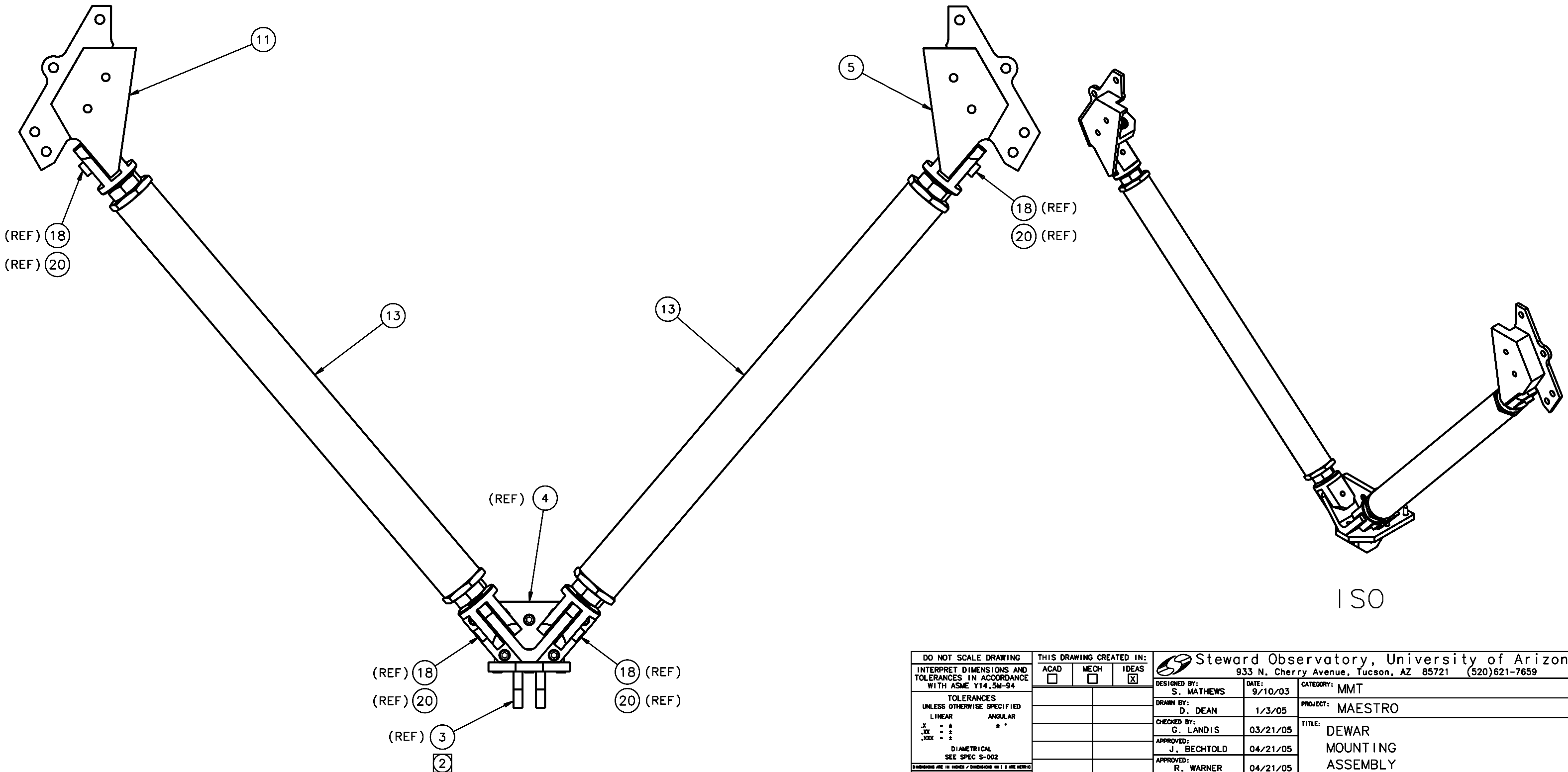


REVISIONS				
LTR	DESCRIPTION	DATE	REVISED BY	APPROVED
A	INITIAL RELEASE	04/21/05	J. BRENNAN	G. LANDIS
B	ADDED ITEMS 19, AND CORRESPONDING VIEWS	04/26/05	J. BRENNAN	-
C	ADDED ITEMS 20 (SPHERICAL BEARINGS) TO LIST OF MATERIALS	05/19/05	J. BRENNAN	-



DO NOT SCALE DRAWING INTERPRET DIMENSIONS AND TOLERANCES IN ACCORDANCE WITH ASME Y14.5M-94		THIS DRAWING CREATED IN: ACAD <input type="checkbox"/> MECH <input type="checkbox"/> IDEAS <input checked="" type="checkbox"/>		Steward Observatory, University of Arizona 933 N. Cherry Avenue, Tucson, AZ 85721 (520)621-7659	
TOLERANCES UNLESS OTHERWISE SPECIFIED LINEAR ANGULAR .X ± ± ° .XX ± ± ° .XXX ± ± ° DIAMETRICAL SEE SPEC S-002		DESIGNED BY: S. MATHEWS		DATE: 9/10/03	
DIMENSIONS ARE IN INCHES / DIMENSIONS IN [] ARE METRIC		DRAWN BY: D. DEAN		CATEGORY: MMT	
MATERIAL		CHECKED BY: G. LANDIS		PROJECT: MAESTRO	
FINISH		APPROVED: J. BECHTOLD		TITLE: DEWAR MOUNTING ASSEMBLY	
ASSEMBLY APPLICATION		APPROVED: R. WARNER		DATE: 04/21/05	
		NEXT ASSY		PLOT SIZE SCALE: D NA	
		USED ON		DRAWING NUMBER: 14477	
		CURRENT TIME/DATE/FILE LOCATION:		REVISION: C	
		DRAWING ARCHIVE LOCATION: http://dovinci.es.arizona.edu/ocod/default.html		SHEET 4 OF 8	