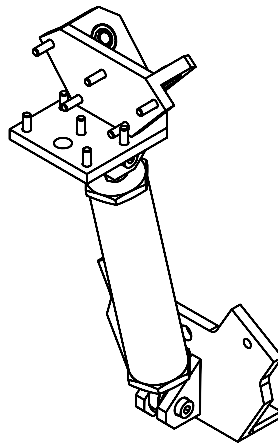
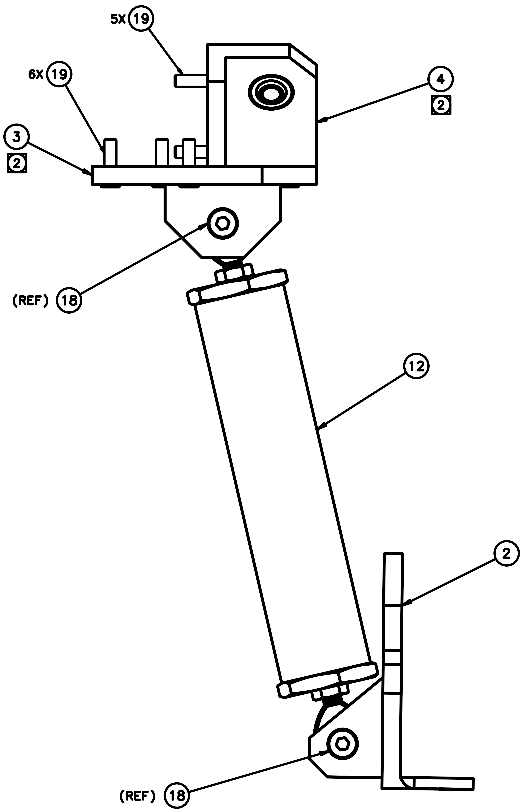
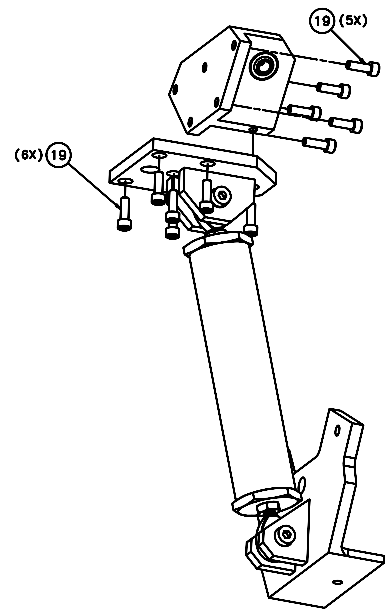


REVISIONS				
LTR	DESCRIPTION	DATE	REVISED BY	APPROVED
A	INITIAL RELEASE	04/21/05	J. BROWN	G. LANDIS
B	ADD ITEM 19, AND CORRESPONDING VIEW	04/21/05	J. BROWN	-
C	ADD ITEM 30 (SPHERICAL BEARING) TO LIST OF MATERIALS	09/18/05	J. BROWN	-



ISO



DO NOT SCALE DRAWING		THIS DRAWING CREATED IN:			Steward Observatory, University of Arizona			
INTERPRET DIMENSIONS AND TOLERANCES BY REFERENCE WITH ASME Y14.5M-2001		ACAD	MECH	IDEAS	933 N. Cherry Avenue, Tucson, AZ 85721 (520)621-7859			
TOLERANCES UNLESS OTHERWISE SPECIFIED		<input type="checkbox"/>	<input type="checkbox"/>	<input checked="" type="checkbox"/>	DESIGNED BY: S. MATTHEWS	DATE: 5/19/05	PROJECT: MAESTRO	REVISED BY: J. BROWN
FRACTIONS		<input type="checkbox"/>	<input type="checkbox"/>	<input checked="" type="checkbox"/>	DESIGNED BY: D. DEAN	DATE: 1/25/05	TITLE: DEWAR MOUNTING ASSEMBLY	APPROVED BY: G. LANDIS
DIMENSIONS		<input type="checkbox"/>	<input type="checkbox"/>	<input checked="" type="checkbox"/>	APPROVED BY: J. BECHTOLD	DATE: 04/21/05	PROJECT: MAESTRO	APPROVED BY: R. WARNER
MATERIAL		MAESTRO	MAESTRO	MAESTRO	APPROVED BY:	DATE:	PROJECT:	REVISED BY:
FINISH		NEXT ASSY	USED ON	APPROVED BY:	DATE:	PROJECT:	REVISED BY:	REVISED BY:
		ASSEMBLY APPLICATION	CURRENT TITLE/DATE/REV. LOCATION	DRAWING NUMBER: 14477				REVISED BY:
				DRAWING NUMBER: 14477				REVISED BY: