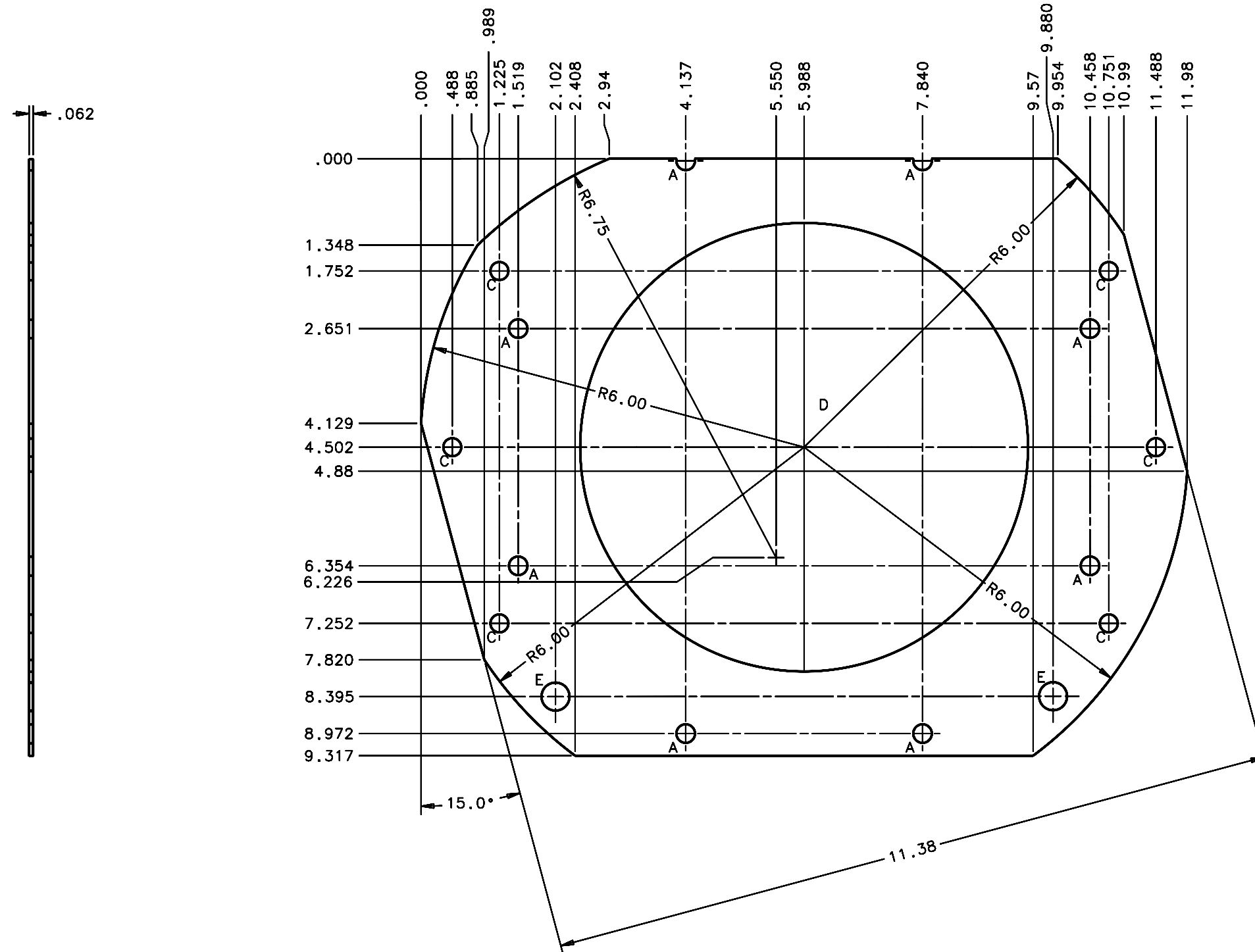


REVISIONS				
LTR	DESCRIPTION	DATE	REVISED BY	APPROVED
A	INITIAL RELEASE	03/26/05	J. BRENNAN	G. LANDIS



SCALE 1:1

HOLE CHART		
NU	∅	QTY.
A	.290	8
B	.250	0
C	.281	6
D	7.00	1
E	.438	2

1 REQUIRED

NOTES:

- USE McMASTER CAR P/N 8667K211  
GRADE G-10/FR4 GAROLITE PER MILL-1-24768.
- BREAK SHARP EDGES & DEBURR.

DO NOT SCALE DRAWING INTERPRET DIMENSIONS AND TOLERANCES IN ACCORDANCE WITH ASME Y14.5M-94		THIS DRAWING CREATED IN: ACAD <input type="checkbox"/> MECH <input type="checkbox"/> IDEAS <input checked="" type="checkbox"/>		Steward Observatory, University of Arizona 933 N. Cherry Avenue, Tucson, AZ 85721 (520)621-7659	
TOLERANCES UNLESS OTHERWISE SPECIFIED LINEAR .XX ± .03 .XXX ± .008 ANGULAR ± ° DIAMETRICAL SEE SPEC S-002		DESIGNED BY: D. DEAN	DATE: 6/06/04	CATEGORY: MMT	
MATERIAL ①		DRAWN BY: D. DEAN	DATE: 12/13/04	PROJECT: MAESTRO	
FINISH ASSEMBLY APPLICATION		CHECKED BY: G. LANDIS	DATE: 03/21/05	TITLE: DEWAR ANTI GROUNDING PLATE	
		APPROVED: R. WARNER	DATE: 04/26/05	PLOT SIZE SCALE: D -	
		APPROVED:		DRAWING NUMBER: 14473	REVISION: A
CURRENT TIME/DATE/FILE LOCATION:				SHEET 1 OF 1	
DRAWING ARCHIVE LOCATION: <a href="http://devinci.es.arizona.edu/ocad/default.html">http://devinci.es.arizona.edu/ocad/default.html</a>					