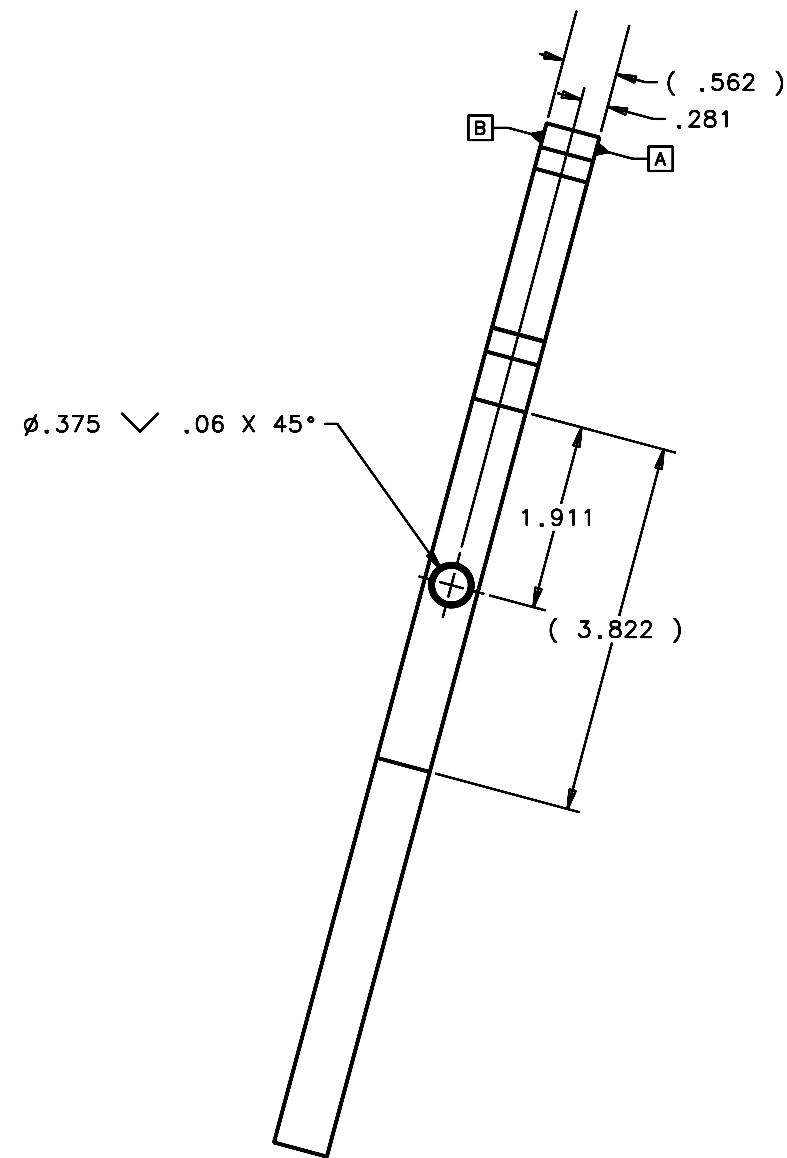
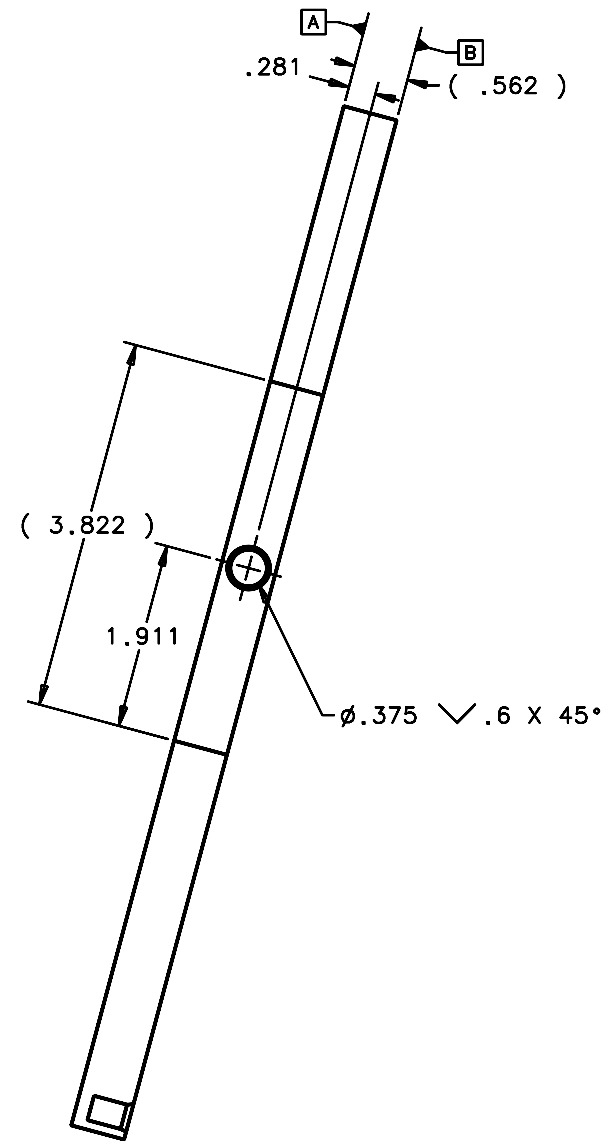


| REVISIONS | | | | |
|-----------|-----------------|----------|------------|-----------|
| LTR | DESCRIPTION | DATE | REVISED BY | APPROVED |
| A | INITIAL RELEASE | 04/26/05 | J. BRENNAN | G. LANDIS |



VIEW A-A
SHT 1



VIEW B-B
SHT 1
SCALE 1:1

| | | | | | | |
|---|-------|---|----------------------------------|--|-------------------|---|
| DO NOT SCALE DRAWING INTERPRET DIMENSIONS AND TOLERANCES IN ACCORDANCE WITH ASME Y14.5M-94 | | THIS DRAWING CREATED IN: ACAD <input type="checkbox"/> MECH <input type="checkbox"/> IDEAS <input checked="" type="checkbox"/> | | Steward Observatory, University of Arizona 933 N. Cherry Avenue, Tucson, AZ 85721 (520)621-7659 | | |
| TOLERANCES UNLESS OTHERWISE SPECIFIED LINEAR ANGLAR .X = ± .02 .XX = ± .02 .XXX = ± .005 DIAMETRICAL SEE SPEC S-002 | | | | DESIGNED BY: D. DEAN | DATE: 06/24/04 | CATEGORY: MMT |
| | | | | DRAWN BY: D. DEAN | DATE: 12/14/04 | PROJECT: MAESTRO |
| | | | | CHECKED BY: G. LANDIS | DATE: 03/21/05 | TITLE: DEWAR SPACER RING PLATE |
| | | | | APPROVED: J. BECHTOLD | DATE: 04/26/05 | |
| | | | | APPROVED: R. WARNER | DATE: 04/26/05 | |
| MATERIAL AL ALLOY 6061-T6 | 14476 | MMT-MAESTRO | | APPROVED: | | PLOT SIZE SCALE: D - |
| FINISH | | NEXT ASSY | USED ON | APPROVED: | | DRAWING NUMBER: 13949 |
| ASSEMBLY APPLICATION | | | CURRENT TIME/DATE/FILE LOCATION: | | | REVISION: A |
| DRAWING ARCHIVE LOCATION: http://devinci.es.arizona.edu/ocod/default.html | | | | | | SHEET 2 OF 2 |