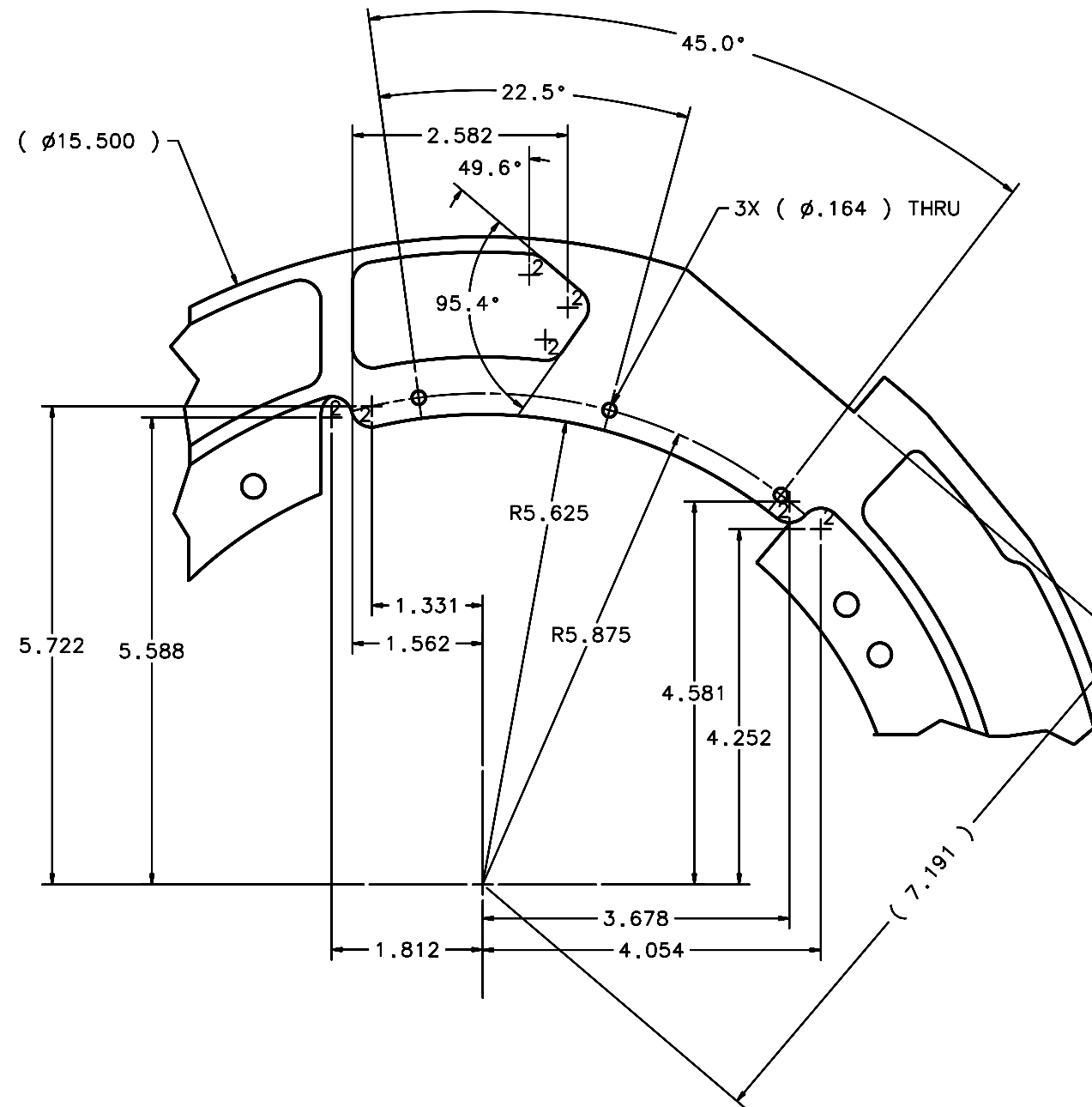
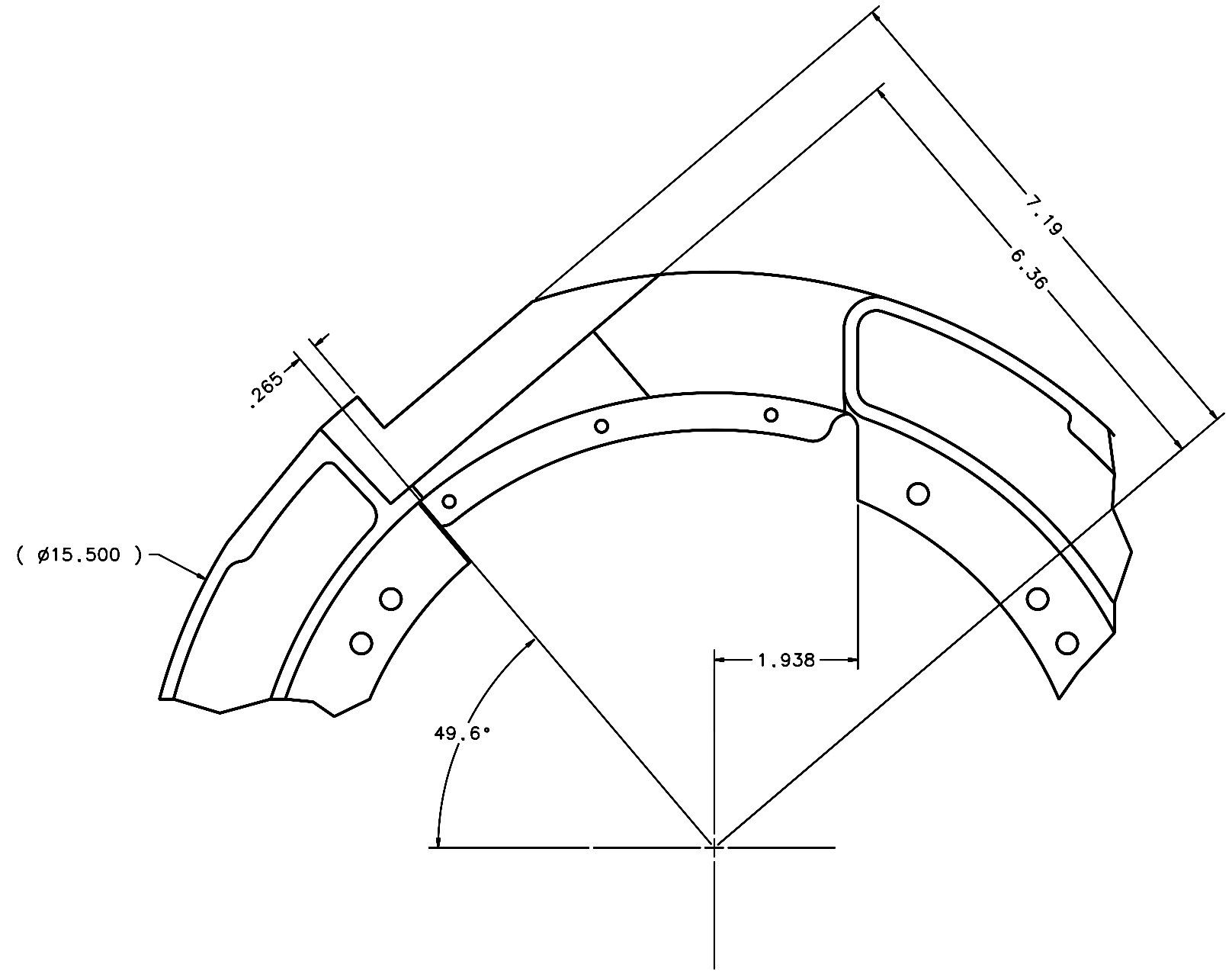


REVISIONS				
LTR	DESCRIPTION	DATE	REVISED BY	APPROVED
A	INITIAL RELEASE	04/26/05	J. BRENNAN	G. LANDIS



VIEW H-H

SHT 3
SCALE 1:1



VIEW P-P

SHT 2
SCALE 1:1

DO NOT SCALE DRAWING		THIS DRAWING CREATED IN:		Steward Observatory, University of Arizona	
INTERPRET DIMENSIONS AND TOLERANCES IN ACCORDANCE WITH ASME Y14.5M-94		ACAD	MECH	IDEAS	933 N. Cherry Avenue, Tucson, AZ 85721 (520)621-7659
TOLERANCES UNLESS OTHERWISE SPECIFIED		<input type="checkbox"/>	<input type="checkbox"/>	<input checked="" type="checkbox"/>	DESIGNED BY: D. DEAN
LINEAR					DATE: 4/06/04
ANGULAR					CATEGORY: MMT
.X = ±.03					DRAWN BY: D. DEAN
.XX = ±.015					DATE: 12/03/04
.XXX = ±					CHECKED BY: G. LANDIS
DIAMETRICAL					DATE: 03/21/05
SEE SPEC S-002					APPROVED: J. BECHTOLD
DIMENSIONS ARE IN INCHES / DIMENSIONS IN 1:1 ARE METRIC					DATE: 04/26/05
MATERIAL		14476	MMT-MAESTRO		APPROVED: R. WARNER
AL ALLOY					DATE: 04/26/05
6061-T6					APPROVED:
FINISH					APPROVED:
ASSEMBLY APPLICATION					PLOT SIZE SCALE:
CURRENT TIME/DATE/FILE LOCATION:					D -
DRAWING ARCHIVE LOCATION: http://dovinc1.as.arizona.edu/oced/dofault.html					DRAWING NUMBER:
					13448
					REVISION:
					A