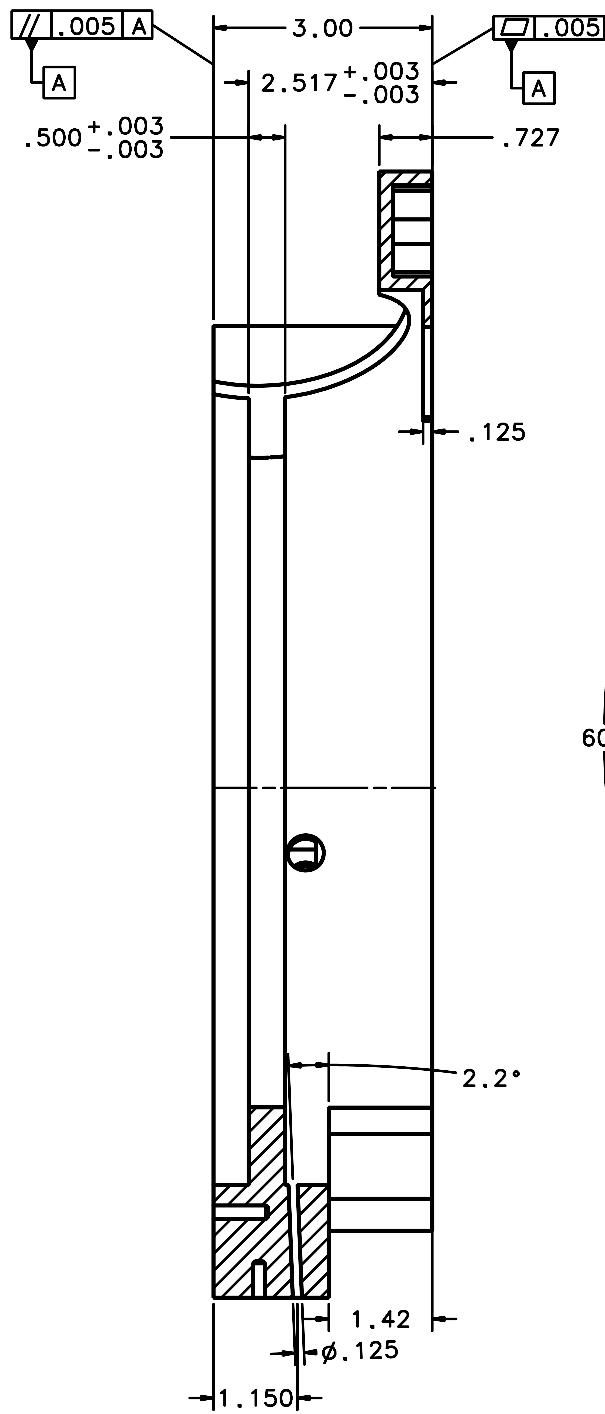
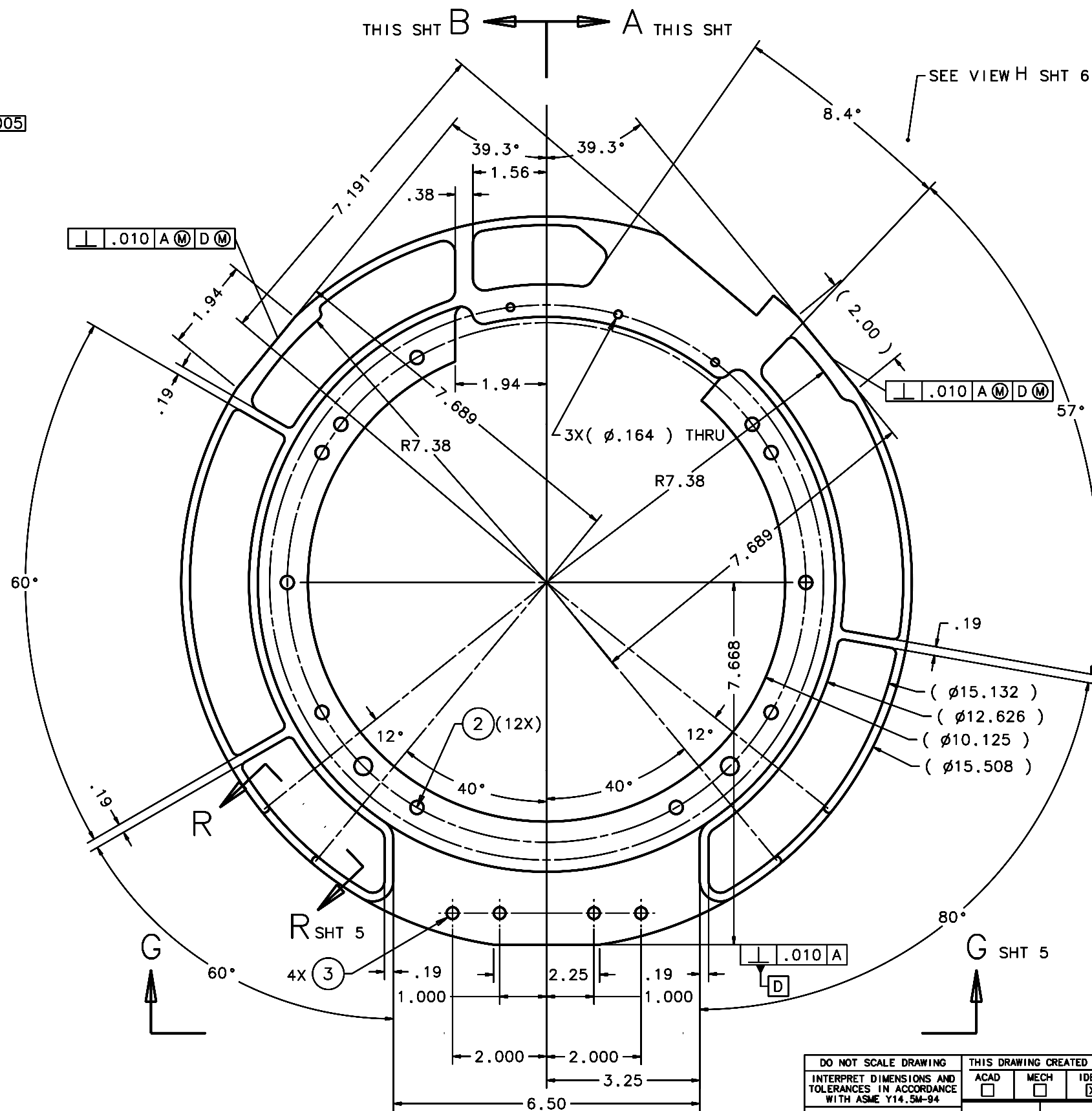


REVISIONS				
LTR	DESCRIPTION	DATE	REVISED BY	APPROVED
A	INITIAL RELEASE	04/26/05	J. BRENNAN	G. LANDIS

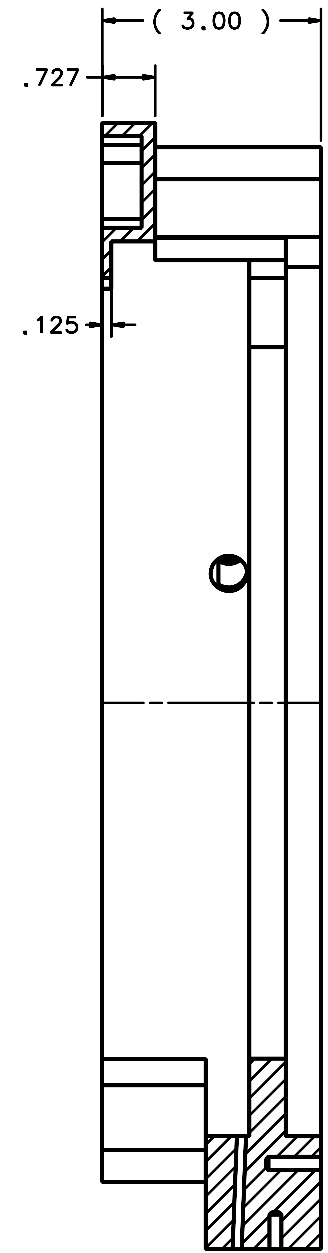


SECTION A-A

THIS SHT  
SCALE .75:1



B ← → A  
DEWAR SIDE OF RING  
SCALE .75:1



SECTION B-B

THIS SHT  
SCALE .75:1

DO NOT SCALE DRAWING INTERPRET DIMENSIONS AND TOLERANCES IN ACCORDANCE WITH ASME Y14.5M-94		THIS DRAWING CREATED IN: ACAD <input type="checkbox"/> MECH <input type="checkbox"/> IDEAS <input checked="" type="checkbox"/>		Steward Observatory, University of Arizona 933 N. Cherry Avenue, Tucson, AZ 85721 (520)621-7659	
TOLERANCES UNLESS OTHERWISE SPECIFIED LINEAR .X = ±.03 .XX = ±.015 .XXX = ± ANGULAR ° ± °		DESIGNED BY: D. DEAN DATE: 4/06/04		CATEGORY: MMT	
DIAMETRICAL SEE SPEC S-002		DRAWN BY: D. DEAN DATE: 12/03/04		PROJECT: MAESTRO	
DIMENSIONS ARE IN INCHES / DIMENSIONS IN 1:1 ARE METRIC		CHECKED BY: G. LANDIS DATE: 03/21/05		TITLE: DEWAR MOUNTING RING	
MATERIAL AL ALLOY 6061-T6		APPROVED: J. BECHTOLD DATE: 04/26/05		PLOT SIZE SCALE: D -	
FINISH		APPROVED: R. WARNER DATE: 04/26/05		DRAWING NUMBER: 13448	
NEXT ASSY USED ON		ASSEMBLY APPLICATION		REVISION: A	
CURRENT TIME/DATE/FILE LOCATION: DRAWING ARCHIVE LOCATION: <a href="http://dovinc1.as.arizona.edu/oced/dofa11.html">http://dovinc1.as.arizona.edu/oced/dofa11.html</a>					