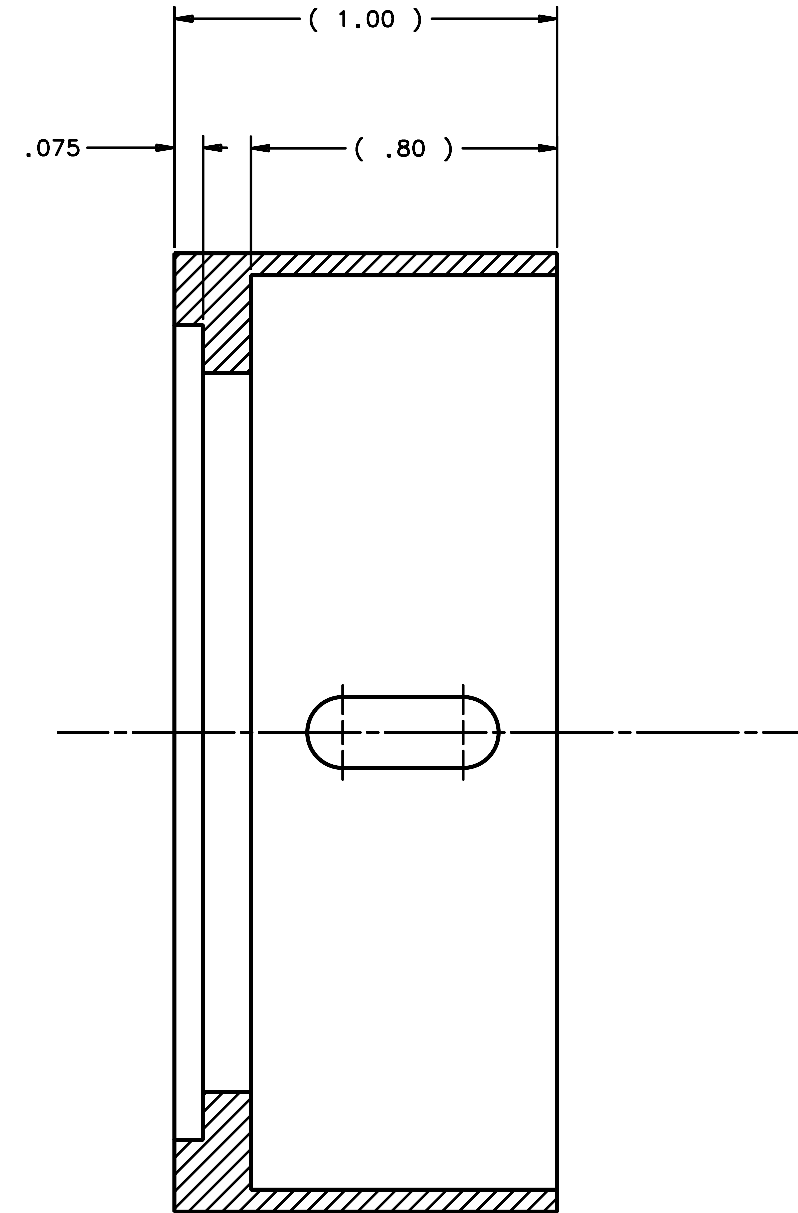
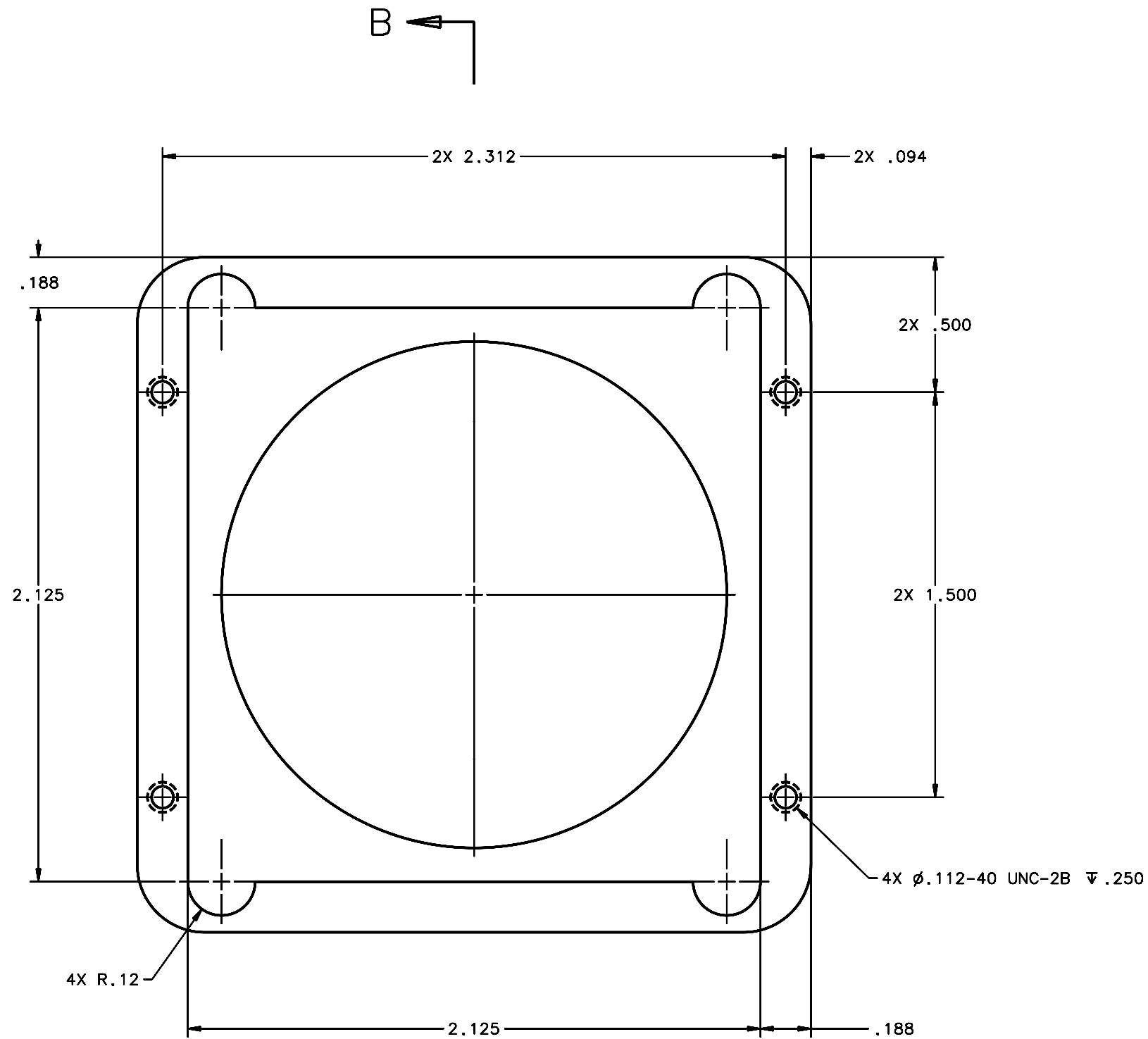


REVISIONS				
LTR	DESCRIPTION	DATE	REVISED BY	APPROVED
A	INITIAL RELEASE	04/28/05	J. BRENNAN	G. LANDIS



SECTION B-B

THIS SHT

THIS THT B
VIEW A-A
 SHT 1
 SCALE 4:1

DO NOT SCALE DRAWING		THIS DRAWING CREATED IN:		Steward Observatory, University of Arizona		
INTERPRET DIMENSIONS AND TOLERANCES IN ACCORDANCE WITH ASME Y14.5M-94		ACAD	MECH	IDEAS	933 N. Cherry Avenue, Tucson, AZ 85721 (520)621-7659	
TOLERANCES UNLESS OTHERWISE SPECIFIED		<input type="checkbox"/>	<input type="checkbox"/>	<input checked="" type="checkbox"/>	DESIGNED BY: D. DEAN	DATE: 01/18/05
LINEAR					DRAWN BY: R. ABALDO	01/18/05
ANGULAR					CHECKED BY: G. LANDIS	03/21/05
.X = ±					APPROVED: M. REED	04/28/05
.XX = ±.02					APPROVED: J. BECHTOLD	04/28/05
.XXX = ±.005					APPROVED: R. WARNER	04/28/05
DIAMETRICAL SEE SPEC S-002						
DIMENSIONS ARE IN INCHES / DIMENSIONS IN 1 ARE METRIC		14449	MMT-MAESTRO			
MATERIAL AL ALLOY 6061-T6		NEXT ASSY	USED ON			
FINISH 4		ASSEMBLY APPLICATION		CURRENT TIME/DATE/FILE LOCATION:		
				DRAWING ARCHIVE LOCATION: http://dov.incl.us.arizona.edu/ccod/default.html		
				PROJECT: MMT	CATEGORY: MMT	
				PROJECT: MAESTRO	TITLE: CALIBRATION DIAGONAL MIRROR DIFFUSER MOUNT	
				PLOT SIZE SCALE: D -	DRAWING NUMBER: 14519	REVISION: A
						SHEET 2 OF 2