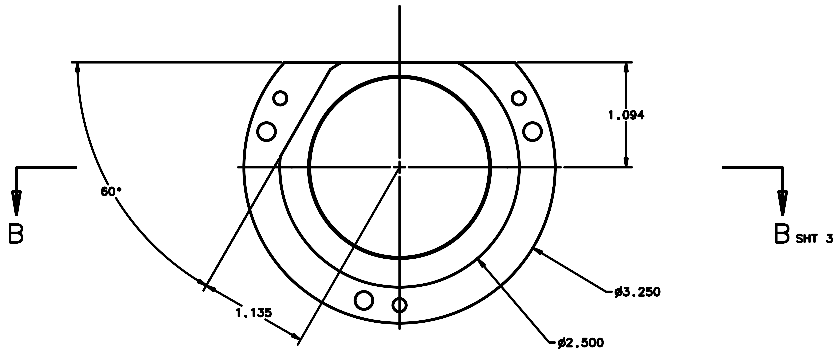


REVISIONS				
LTR	DESCRIPTION	DATE	REVIEWED BY	APPROVED
A	INITIAL RELEASE	08/03/06	J. DEWITT	S. LANDIS



VIEW A-A

SHT 1
SCALE 1:2

DO NOT SCALE DRAWING		THIS DRAWING CREATED IN:		Steward Observatory, University of Arizona 933 N. Cherry Avenue, Tucson, AZ 85721 (520)621-7850	
TOLERANCES UNLESS OTHERWISE SPECIFIED IN ACCORDANCE WITH FIG. 14.00-04		ASAP <input type="checkbox"/>	PREC <input type="checkbox"/>	TCAR <input checked="" type="checkbox"/>	
TOLERANCES UNLESS OTHERWISE SPECIFIED LENGTH .0015 ANGLE .0015 HOLE .0015 HOLE DIA .0015 HOLE DIA .0015		DESIGNED BY D. DEAN	DATE 12/13/04	PROJECT MMT	
MATERIAL AL ALLOY 6061-T6		DRAWN BY G. LANDIS	DATE 03/21/05	TITLE CALIBRATION LENS CAN	
FINISH 4		APPROVED BY M. REED	DATE 05/03/05	PART OR BOM# D -	
NEXT ASSY USED ON		APPROVED BY J. BECHTOLD	DATE 05/03/05	DRAWING NUMBER 14465	
ASSEMBLY APPLICATION		APPROVED BY R. SWANER	DATE 05/03/05	REVISION A	
<small>COMPANY TOLERANCES/PLATE LOCATION: STANDARD ASSUMED UNLESS OTHERWISE SPECIFIED IN THE DRAWING</small>					
					BHEET 2 OF 3