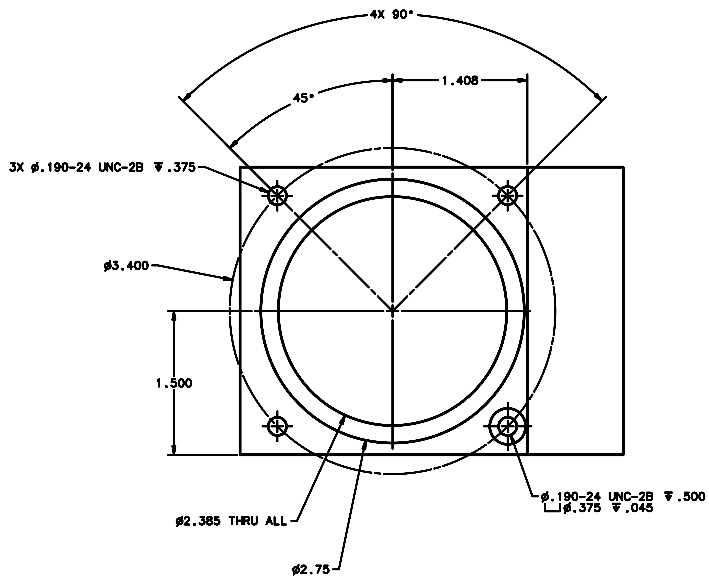
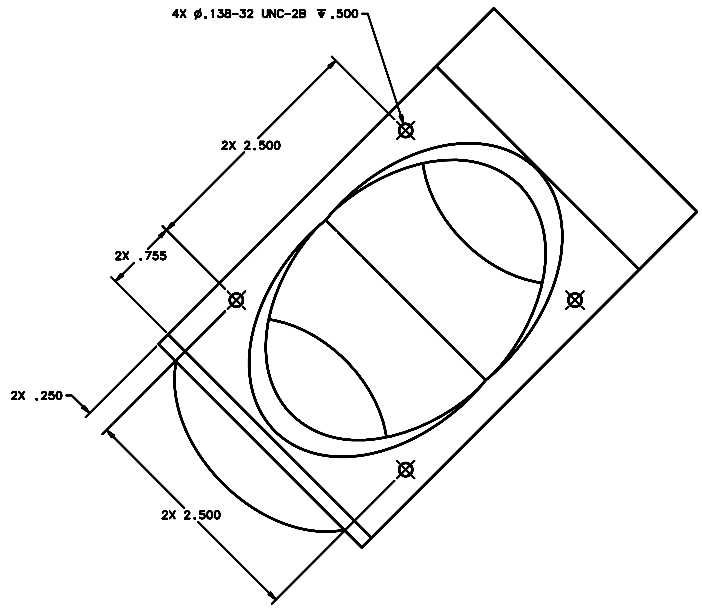


REVISIONS				
LTR	DESCRIPTION	DATE	REVIEWED BY	APPROVED
A	INITIAL RELEASE	03/28/04	J. DEAN	G. LANDIS



VIEW A-A
SCALE 2:1



VIEW B-B

DO NOT SCALE DRAWING		THIS DRAWING CREATED IN:		Steward Observatory, University of Arizona	
TOLERANCES UNLESS OTHERWISE SPECIFIED ARE IN ACCORDANCE WITH ASME Y14.5M-94		ASAP	ISO	933 N. Cherry Avenue, Tucson, AZ 85721 (520)621-7850	
TOLERANCES UNLESS OTHERWISE SPECIFIED ARE IN ACCORDANCE WITH ASME Y14.5M-94		ASAP	ISO	DESIGNED BY: D. DEAN	DATE: 12/13/04
UNLESS OTHERWISE SPECIFIED LINES ARE IN ACCORDANCE WITH ASME Y14.5M-94		ASAP	ISO	DRAWN BY: G. LANDIS	DATE: 12/13/04
UNLESS OTHERWISE SPECIFIED LINES ARE IN ACCORDANCE WITH ASME Y14.5M-94		ASAP	ISO	APPROVED BY: M. NEED	DATE: 12/13/04
UNLESS OTHERWISE SPECIFIED LINES ARE IN ACCORDANCE WITH ASME Y14.5M-94		ASAP	ISO	PROJECT: MAESTRO	TITLE: CALIBRATION DIAGONAL MIRROR BOX
MATERIAL: AL ALLOY 6061-T6		14451	MMT-MAESTRO	PLAT BY: BORG	NUMBER: 14459
FINISH: 4		ASSEMBLY APPLICATION	COMPANY TOLERANCE/PLATE LOCATION	REVISION: A	SHEET 2 OF 2