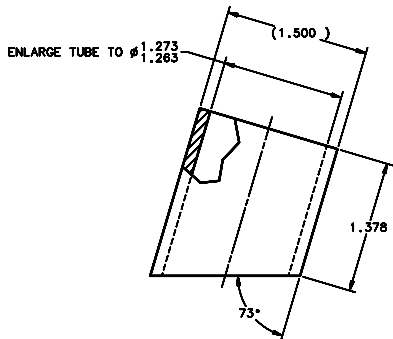
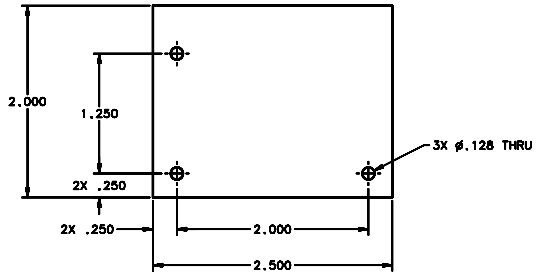


REVISIONS				
LTR	DESCRIPTION	DATE	REVIEWED BY	APPROVED
A	INITIAL RELEASE	01/28/04	G. DEAN	G. LANDIS
B	REMOVE 1.000 DIA. HOLE FROM MOUNTING PLATE AND ADDING HOLES	01/25/04	G. DEAN	G. LANDIS



② TUBE SUPPORT
(SHT 1)



① MOUNTING PLATE
(SHT 1)
SCALE 2:1

DO NOT SCALE DRAWING		THIS DRAWING CREATED IN:		Steward Observatory, University of Arizona	
INTERPRET DIMENSIONS AND TOLERANCES IN ACCORDANCE WITH ISO 15, ISO 90		ASAP	ISO	933 N. Cherry Avenue, Tucson, AZ 85721 (520)621-7856	
TOLERANCES		ASAP	ISO	DATE:	PROJECT:
UNLESS OTHERWISE SPECIFIED				D. DEAN	MMT
LINE				BY: ABALDO	12/13/04
LINE				DESIGNED BY:	12/13/04
LINE				G. LANDIS	
LINE				APPROVED BY:	12/13/04
LINE				M. NEED	
LINE				APPROVED:	
LINE					
MATERIAL	14450	MMT-MAESTRO	APPROVED:	PLAT BY DR BODZI	NUMBER DRAWN:
AL ALLOY 6061-T6	14450	MMT-MAESTRO	APPROVED:	D -	14458
FINISH	4	ASSEMBLY APPLICATION	COMPLY WITH ALL APPLICABLE LOCAL, STATE, AND FEDERAL REGULATIONS		
					SHEET 2 OF 2