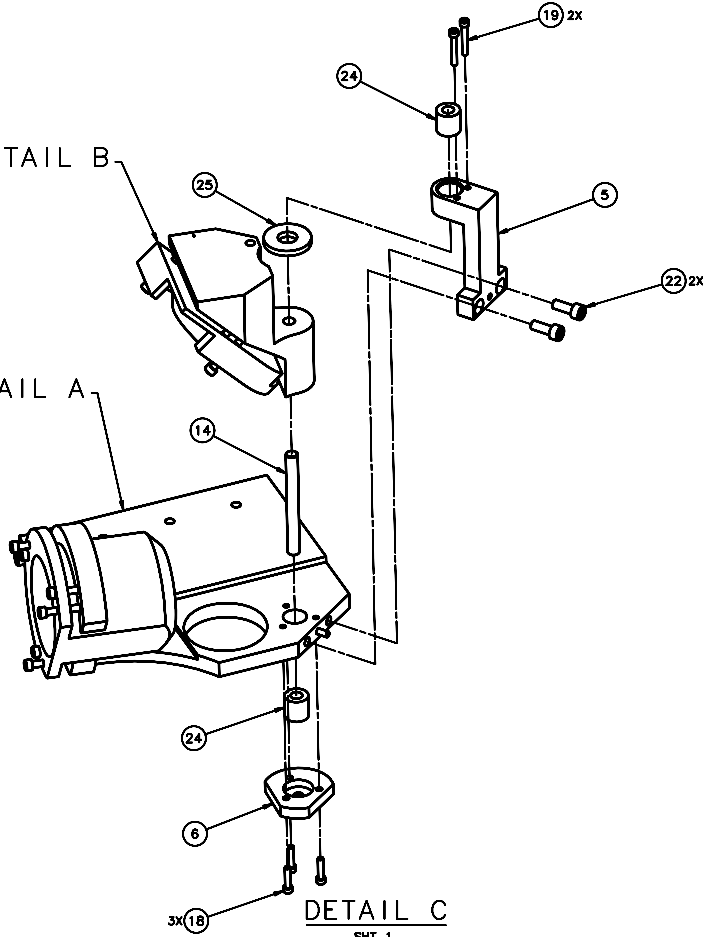


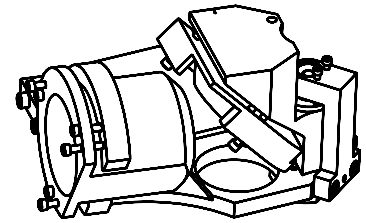
SEE DETAIL B  
SHT 3

SEE DETAIL A  
SHT 2



DETAIL C

SHT 1  
ASSEMBLY STEP 3  
SCALE 2:1



REVISIONS			
LTR	DESCRIPTION	DATE	REVISED BY / APPROVED
A	INITIAL RELEASE	04/28/05	J. DECHTOLD / S. LANDIS

DO NOT SCALE DRAWING		THIS DRAWING CREATED IN:		Steward Observatory, University of Arizona	
TOLERANCES UNLESS OTHERWISE SPECIFIED		<input type="checkbox"/> ASAP <input type="checkbox"/> MICH <input checked="" type="checkbox"/> TIGAR		933 N. Cherry Avenue, Tucson, AZ 85721 (320)821-7856	
TOLERANCES		DESIGNED BY: D. DEAN    DATE: 01/18/05    PROJECT: MMT		DRAWN BY: R. ABALDO    DATE: 01/18/05    PROJECT: MAESTRO	
UNLESS OTHERWISE SPECIFIED DIMENSIONS ARE IN INCHES DECIMALS TO 0.0005 FRACTIONS TO 1/16"		CHECKED BY: G. LANDIS    DATE: 03/21/05    TITLE:		APPROVED BY: M. REED    DATE: 04/28/05    CALIBRATION TURN DOWN MIRROR AND LENS CAN ASSEMBLY	
MATERIAL		APPROVED BY: J. DECHTOLD    DATE: 04/28/05		PART OR STOCK NUMBER: D - 14452    REVISION: A	
NEXT ASSY USED ON		MATERIAL: 14448 MMT-MAESTRO		FINISH: ASSEMBLY APPLICATION	
FINISH		CHECKED BY: R. SWANER    DATE: 04/28/05		SHEET 4 OF 5	