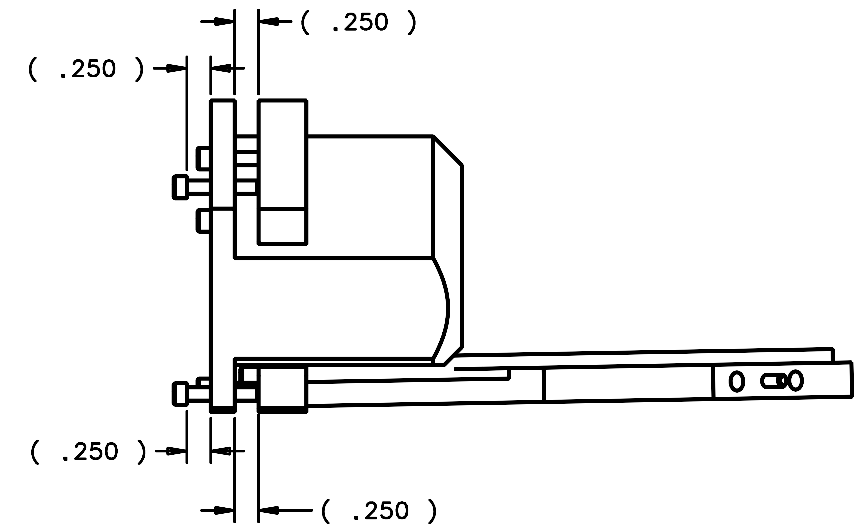
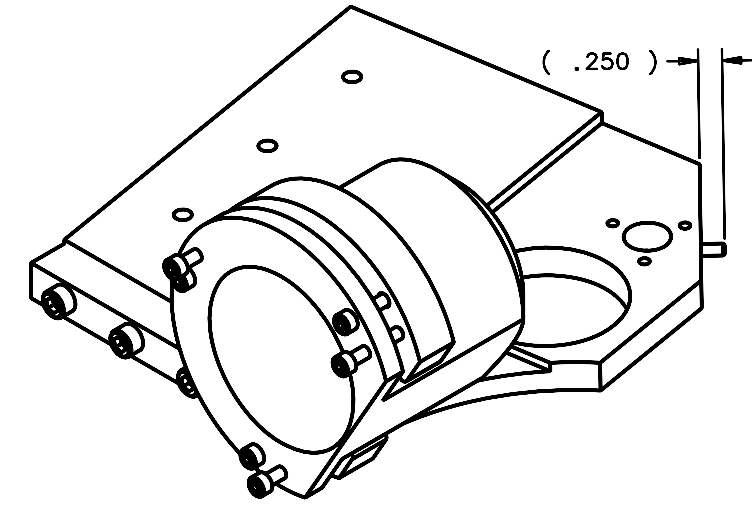
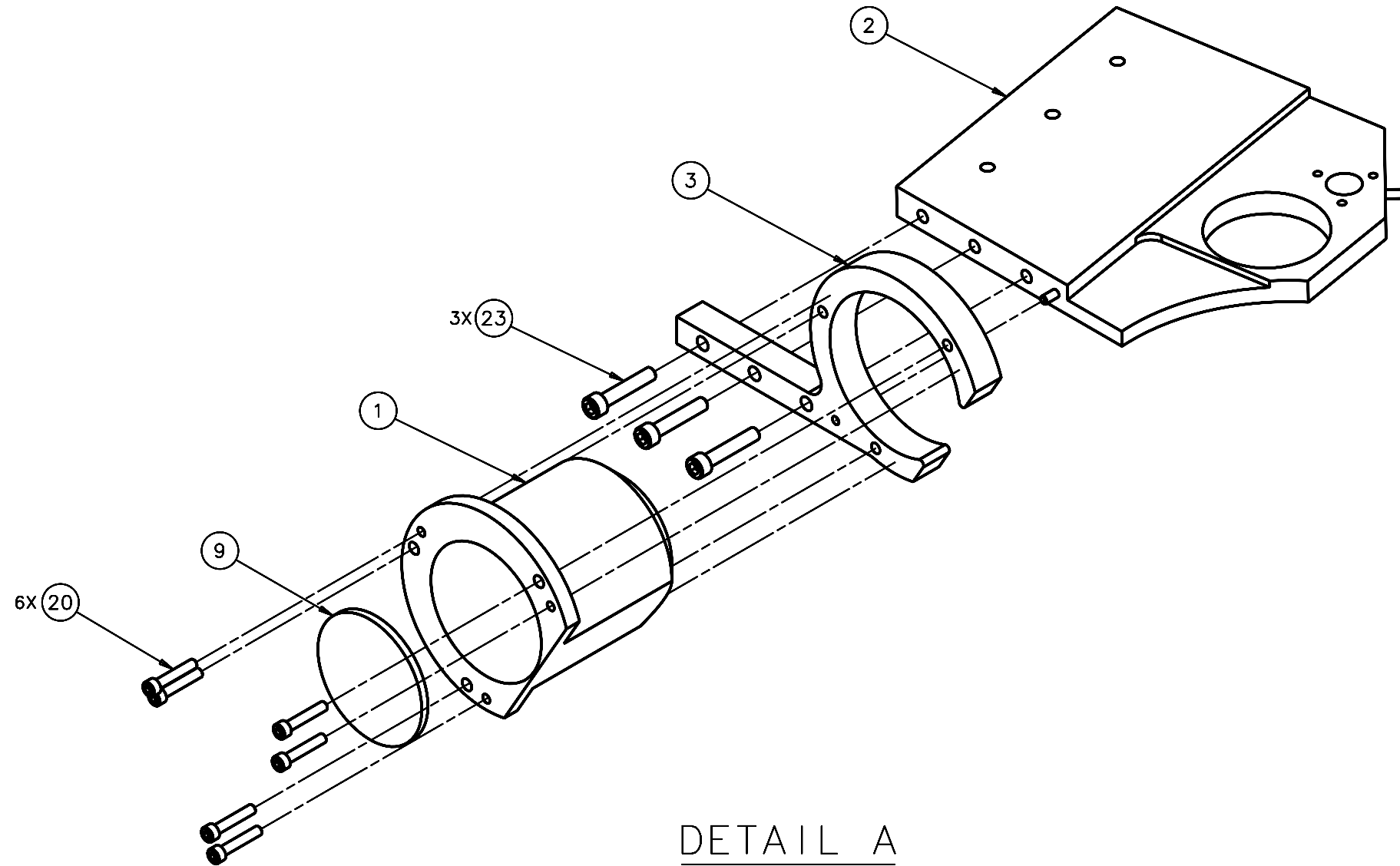


REVISIONS				
LTR	DESCRIPTION	DATE	REVISED BY	APPROVED
A	INITIAL RELEASE	04/28/05	J. BRENNAN	G. LANDIS



DETAIL A

SHT 1  
ASSEMBLY STEP 1  
SCALE 2:1

DO NOT SCALE DRAWING INTERPRET DIMENSIONS AND TOLERANCES IN ACCORDANCE WITH ASME Y14.5M-94		THIS DRAWING CREATED IN: ACAD <input type="checkbox"/> MECH <input type="checkbox"/> IDEAS <input checked="" type="checkbox"/>		Steward Observatory, University of Arizona 933 N. Cherry Avenue, Tucson, AZ 85721 (520)621-7659		
TOLERANCES UNLESS OTHERWISE SPECIFIED LINEAR .X = ± .02 .XX = ± .005 ANGULAR ± 1° DIAMETRICAL SEE SPEC S-002 <small>DIMENSIONS ARE IN INCHES / DIMENSIONS IN 1 ARE METRIC</small>				DESIGNED BY: D. DEAN	DATE: 01/18/05	CATEGORY: MMT
MATERIAL		14449 MMT-MAESTRO		DRAWN BY: R. ABALDO	01/18/05	PROJECT: MAESTRO
FINISH		NEXT ASSY USED ON		CHECKED BY: G. LANDIS	03/21/05	TITLE: CALIBRATION TURN DOWN MIRROR AND LENS CAN ASSEMBLY
				APPROVED: M. REED	04/28/05	PLOT SIZE SCALE: D -
				APPROVED: J. BECHTOLD	04/28/05	DRAWING NUMBER: 14452
				APPROVED: R. WARNER	04/28/05	REVISION: A
				CURRENT TIME/DATE/FILE LOCATION: DRAWING ARCHIVE LOCATION: <a href="http://dovinc1.es.arizona.edu/ocod/default.html">http://dovinc1.es.arizona.edu/ocod/default.html</a>		