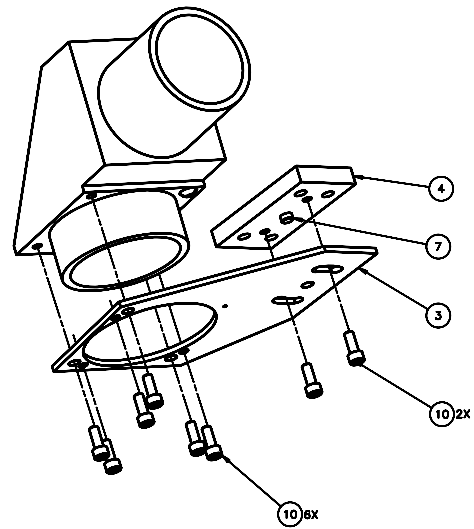
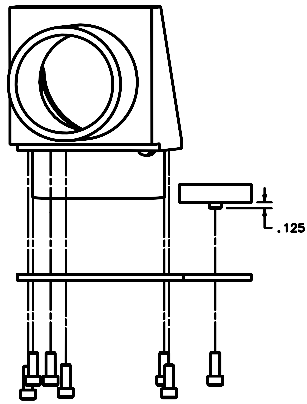


REVISIONS				
LTR	DESCRIPTION	DATE	REVIEWED BY	APPROVED
A	INITIAL RELEASE	03/28/08	J. BROWN	S. LAMB



SCALE 1:1

DO NOT SCALE DRAWING		THIS DRAWING CREATED IN:		Steward Observatory, University of Arizona	
TOLERANCES UNLESS OTHERWISE SPECIFIED		ASSEMBLY	REVISION	033 N. Cherry Avenue, Tucson, AZ 85721	(520)621-7850
WITH THIS DRAWING		<input type="checkbox"/>	<input checked="" type="checkbox"/>		
TOLERANCES		DESIGNED BY	DATE	PROJECT: MMT	
HOLE POSITION UNLESS OTHERWISE SPECIFIED		DRAWN BY	01/18/08	SUBJECT: MAESTRO	
LINES		APPROVED BY	01/18/08	TITLE:	
DIMENSIONS		01. LANDIS	01/18/08	CALIBRATION DIAGONAL	
MATERIAL		APPROVED BY	01/18/08	MIRROR BOX ASSEMBLY	
14448		APPROVED BY		PLATINUM BOARD	REVISION
NEXT ASSY USED ON		APPROVED BY		D -	14451
FINISH		ASSEMBLY APPLICATION	COMPANY TOLERANCES/PLATE LOCATION	SHEET 3 OF 4	