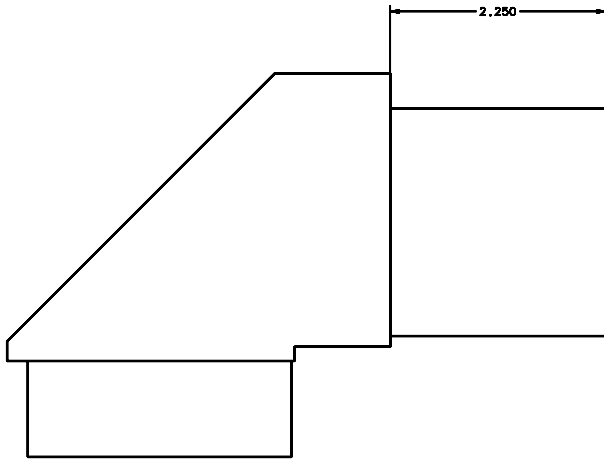
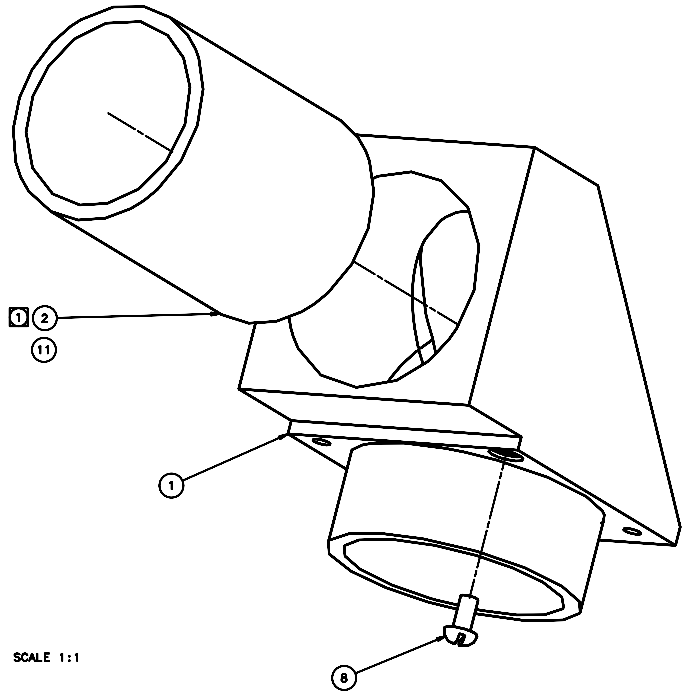


REVISIONS				
LTR	DESCRIPTION	DATE	REVIEWED BY	APPROVED
A	INITIAL RELEASE	03/28/08	J. BROWN	G. LANDIS



SCALE 2:1



SCALE 1:1

DO NOT SCALE DRAWING		THIS DRAWING CREATED IN:		Steward Observatory, University of Arizona	
TOLERANCES UNLESS OTHERWISE SPECIFIED		<input type="checkbox"/> ASAP <input type="checkbox"/> MICH <input checked="" type="checkbox"/> TIGAR		933 N. Cherry Avenue, Tucson, AZ 85721 (520)621-7850	
TOLERANCES IN ACCORDANCE WITH SPC 114.00-04				PROJECT: MMT	
UNLESS OTHERWISE SPECIFIED		DESIGNED BY: D. DEAN		DATE: 01/18/08	
LINES: ALL		DRAWN BY: G. LANDIS		DATE: 01/18/08	
DIMENSIONS: AS SHOWN		APPROVED BY: M. NEED		DATE: 01/18/08	
FINISH: UNLESS OTHERWISE SPECIFIED		MATERIAL: 14448 MMT-MAESTRO		PART OR BOM CODE: D -	
NEXT ASSY USED ON:		ASSEMBLY APPLICATION:		DRAWING NUMBER: 14451	
FINISH:		ASSEMBLY APPLICATION:		REVISION: A	
		COMPANY TOLERANCES/STYLING LOCATION:		SHEET 2 OF 4	