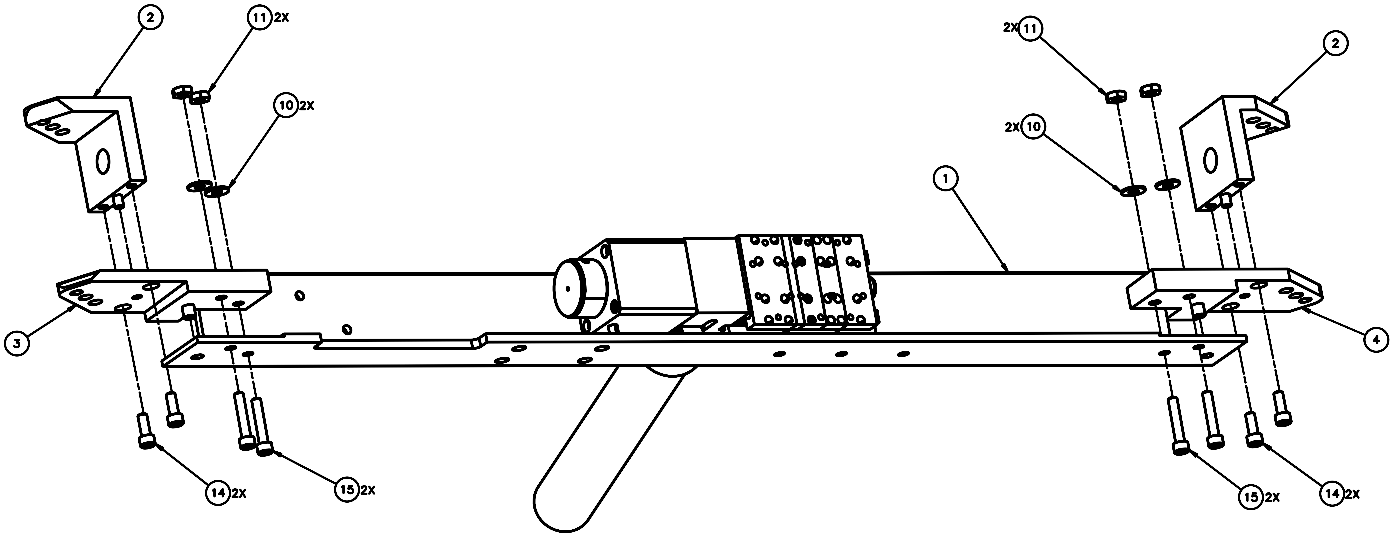


REVISIONS				
LTR	DESCRIPTION	DATE	REVIEWED BY	APPROVED
A	INITIAL RELEASE	01/18/08	G. LANDIS	G. LANDIS



EXPLICIT EXPLODED VIEW

SCALE 1:1

DO NOT SCALE DRAWING		THIS DRAWING CREATED IN:		Steward Observatory, University of Arizona	
TOLERANCES UNLESS OTHERWISE SPECIFIED		ASAP	ASAP	ASAP	ASAP
TOLERANCES IN ACCORDANCE WITH ISO 2768-MS		<input type="checkbox"/>	<input type="checkbox"/>	<input checked="" type="checkbox"/>	<input type="checkbox"/>
UNLESS OTHERWISE SPECIFIED		DESIGNED BY: D. DEAN		DATE: 01/18/08	
LINES: HIDDEN		DRAWN BY: G. LANDIS		DATE: 01/18/08	
DIMENSIONS: .0005" - .001"		APPROVED BY: M. NEED		DATE: 01/18/08	
FINISH: UNLESS OTHERWISE SPECIFIED		PROJECT: MMT		TITLE: CALIBRATION MOUNTING ASSEMBLY	
MATERIAL		14448 MMT-MAESTRO		PART OR BOM CODE: D -	
NEXT ASSY USED ON		APPROVED BY: [Signature]		PART NUMBER: 14450	
FINISH		ASSEMBLY APPLICATION		REVISION: A	
		COMPANY TOLERANCES/STYLING LOCATION		SHEET 2 OF 3	