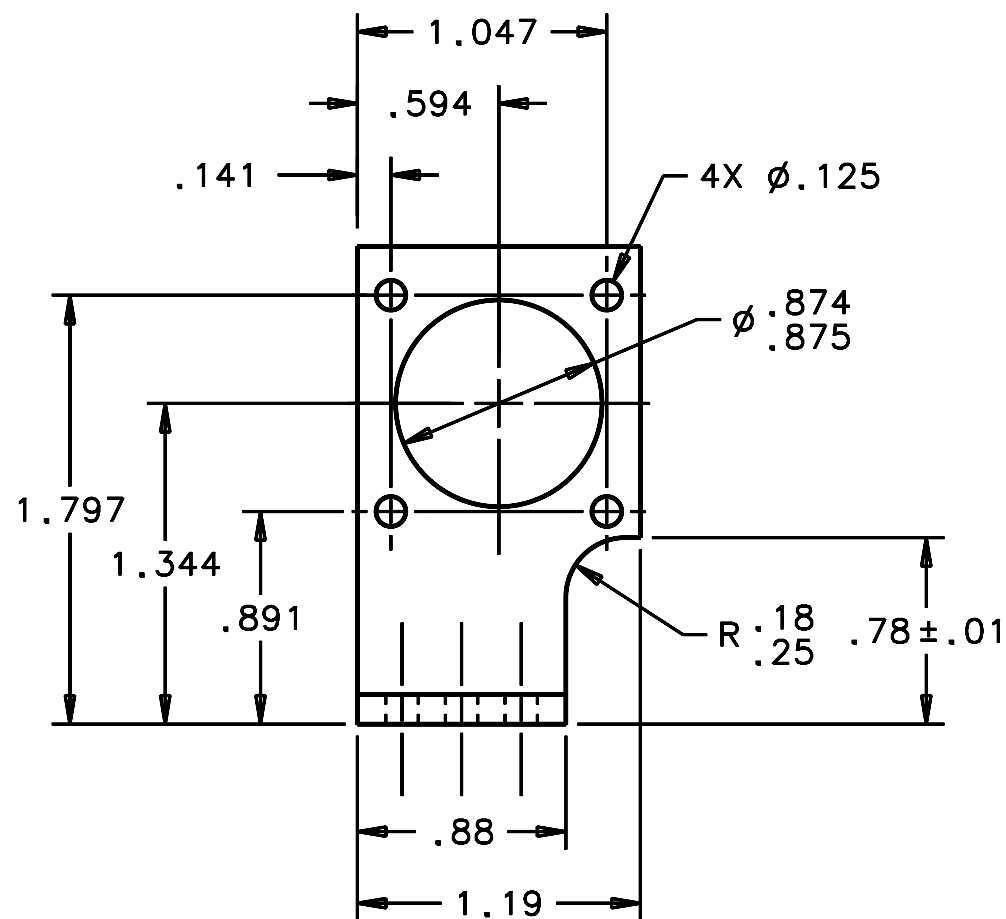
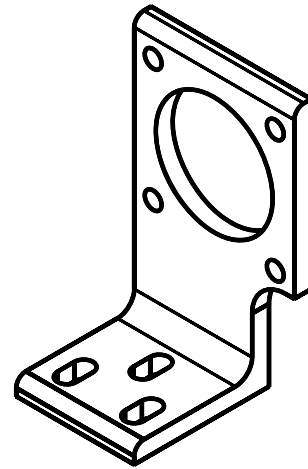
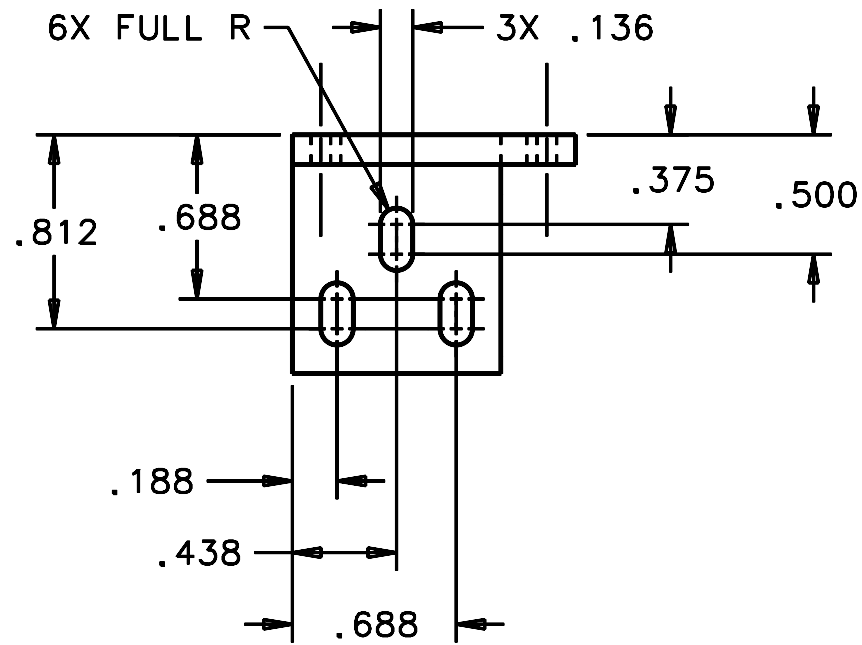
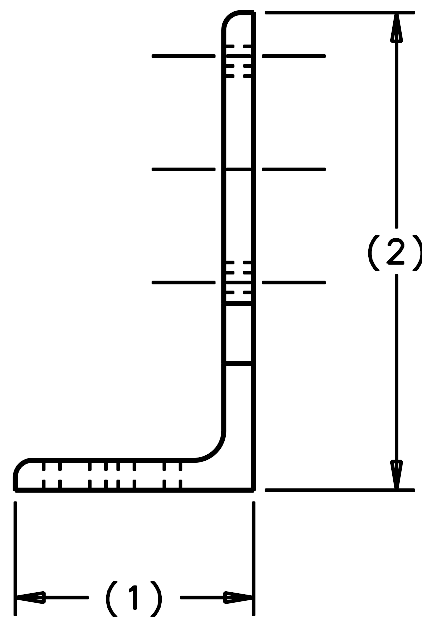


REVISIONS				
LTR	DESCRIPTION	DATE	REVISED BY	APPROVED
A	INITIAL RELEASE	08/29/12	-	MRASCON



SCALE 1 1/4:1



NOTES:

- ① MATERIAL: 6061-T6 Al 90° ANGLE, 1 x 2 x 1/8.
OTHER ANGLE LEG LENGTHS MAY BE USED & CUT TO SIZE.
2. BREAK SHARP EDGES & DEBURR.
3. MACHINED SURFACE FINISH TO BE 125 RMS OR BETTER.
- ④ ANODIZE PER MIL-A-8625, TYPE II, CLASS 2, BLACK.
5. DIMENSIONS ARE BEFORE ANODIZING.

DO NOT SCALE DRAWING INTERPRET DIMENSIONS AND TOLERANCES IN ACCORDANCE WITH ASME Y14.5M-94		THIS DRAWING CREATED IN: ACAD <input type="checkbox"/> MECH <input type="checkbox"/> IDEAS <input checked="" type="checkbox"/>		Steward Observatory, University of Arizona 933 N. Cherry Avenue, Tucson, AZ 85721 (520)621-7659			
TOLERANCES UNLESS OTHERWISE SPECIFIED LINEAR ANGULAR .X - .04 .1° .XX - .03 .1° .XXX - .005 .1° DIAMETRICAL SEE SPEC S-002		DESIGNED BY: RNAGY		DATE: 09/13/12		CATEGORY: MMT	
MATERIAL ①		DRAWN BY: RNAGY		09/13/12		PROJECT: MAESTRO	
FINISH ④		CHECKED BY: RNAGY/MRASCON		09/17/12		TITLE: INJECTION OPTICS SLIT DISK CARRIAGE STEPPER MOTOR MOUNT	
NEXT ASSY USED ON		APPROVED: MRASCON		09/17/12		PLOT SIZE SCALE: DRAWING NUMBER: REVISION: B SEE VIEWS 22942 A	
ASSEMBLY APPLICATION		APPROVED:		APPROVED:		CURRENT TIME/DATE/FILE LOCATION: - DRAWING ARCHIVE LOCATION: http://devinci.cs.arizona.edu/ocod/default.html	
						SHEET 1 OF 1	