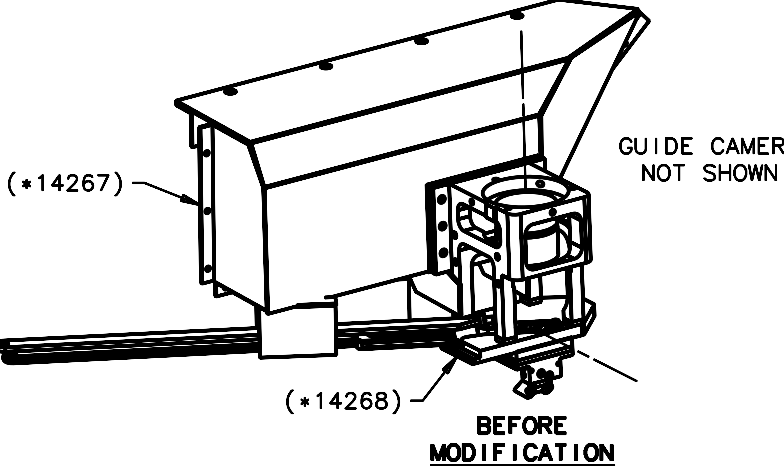
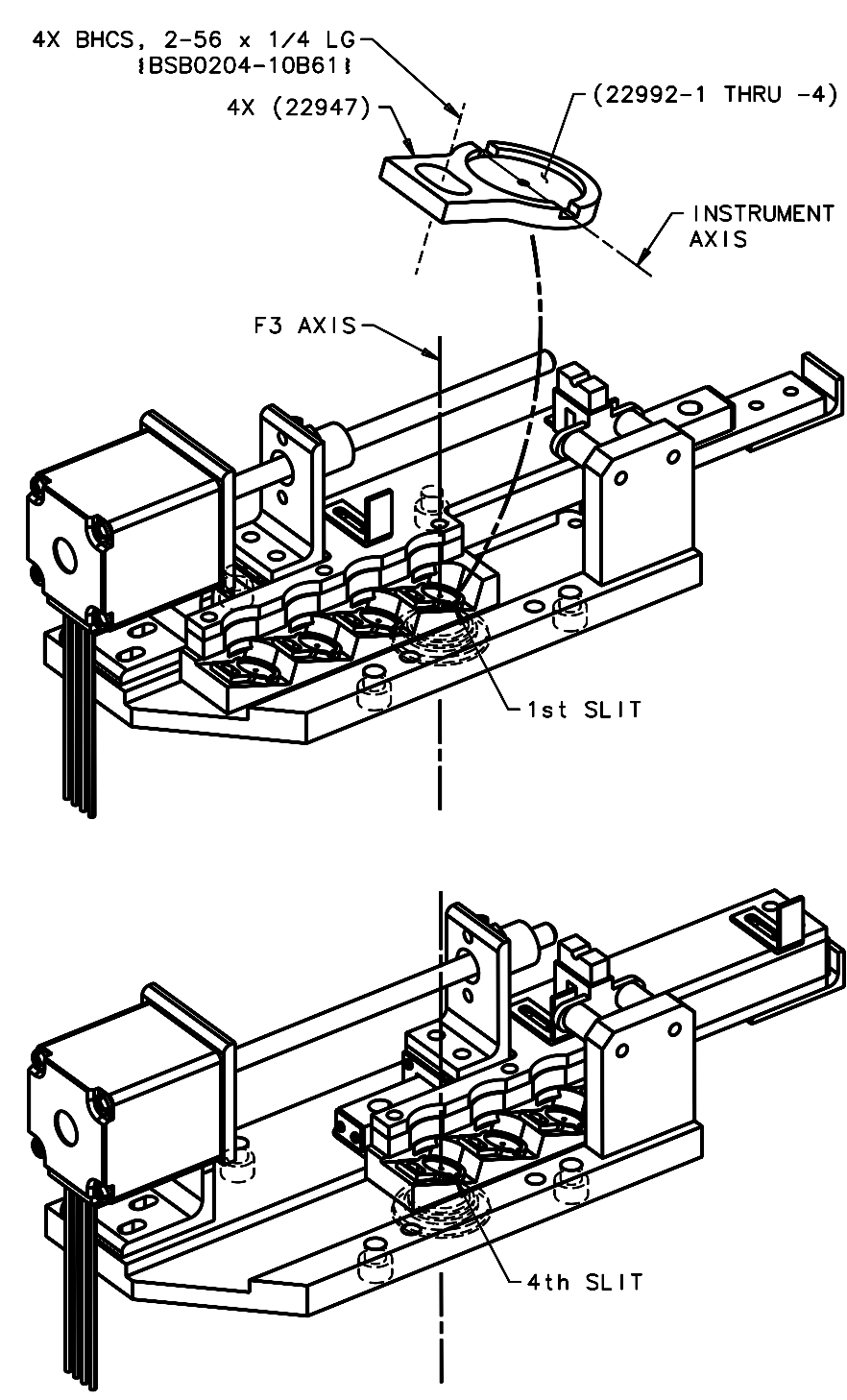
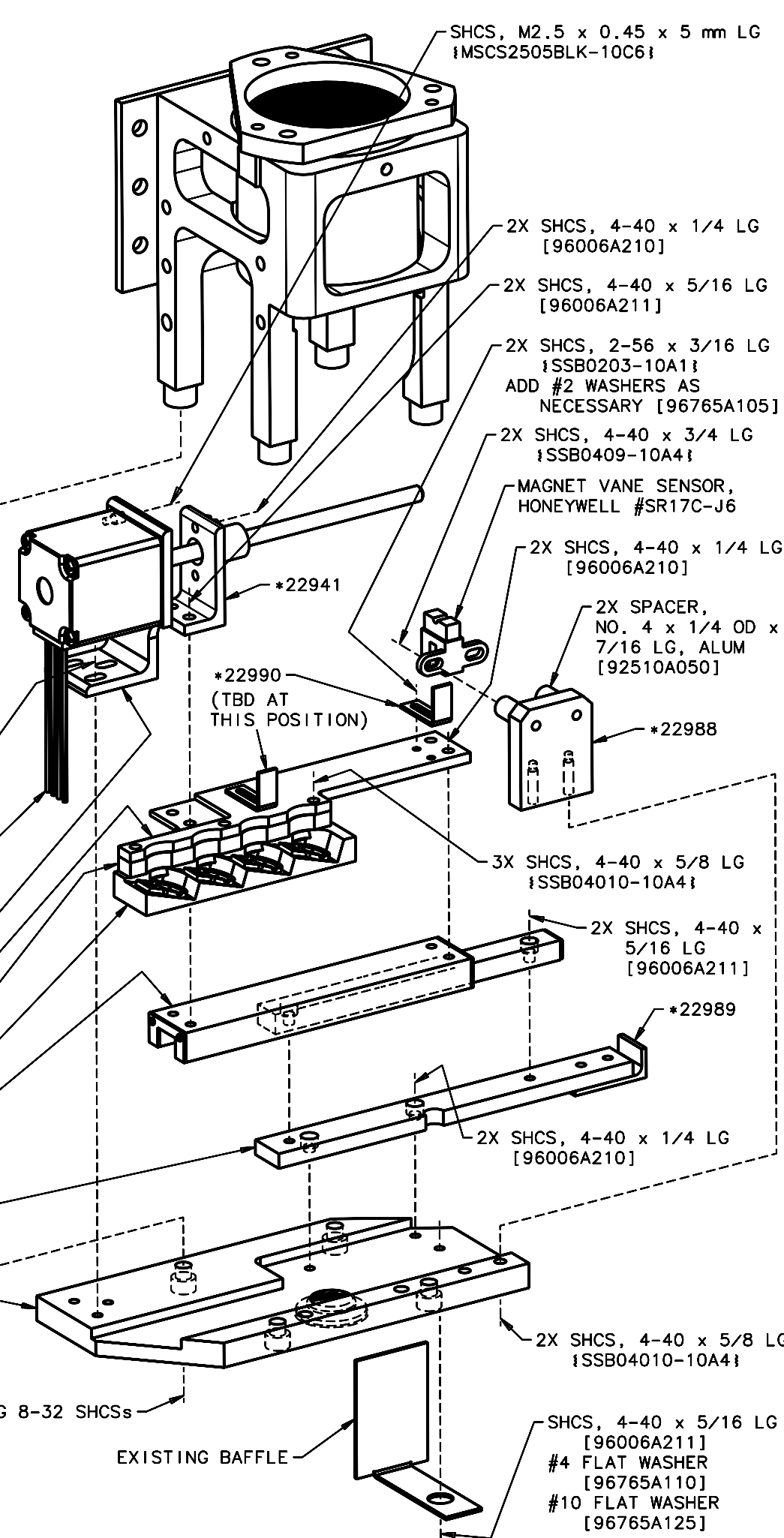
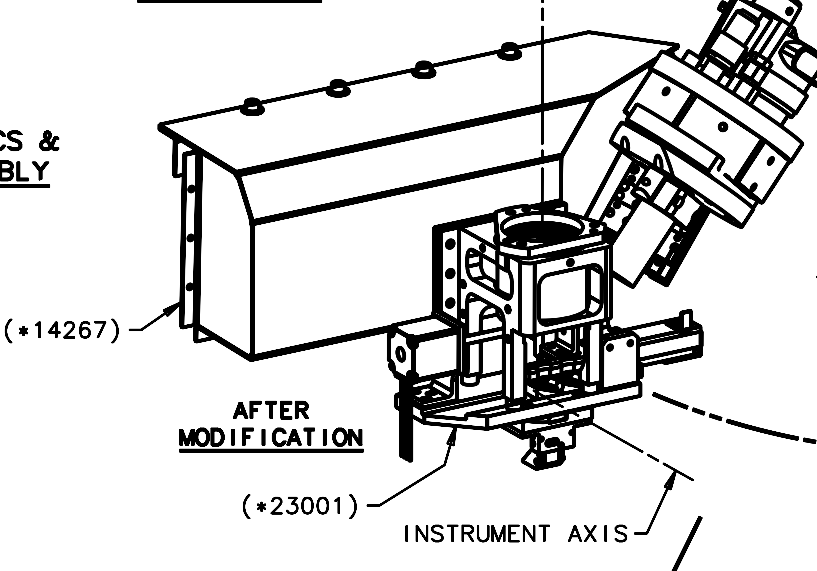


		REVISIONS		
LTR	DESCRIPTION	DATE	REVISED BY	APPROVED BY
A	INITIAL RELEASE	10/08/12	-	-



**\*14269  
INJECTION OPTICS &  
MOUNTING ASSEMBLY**



NOTES:  
1. ALL ATTACHING HARDWARE IS BLACK OXIDE SS.

LEGEND:  
\* = STEWARD OBSERVATORY DRAWING NO.s  
[ ] = McMASTER-CARR PART NO.s  
{ } = FASTENER-EXPRESS PART NO.s  
SHCS = SOCKET HEAD CAP SCREW  
BHCS = BUTTON HEAD CAP SCREW

MMT  
MAESTRO  
INJECTION OPTICS  
SLIT DISK CARRIAGE MODULAR ASSEMBLY  
RNAGY 10/08/12  
DRAWING NO. 23001  
REVISION A