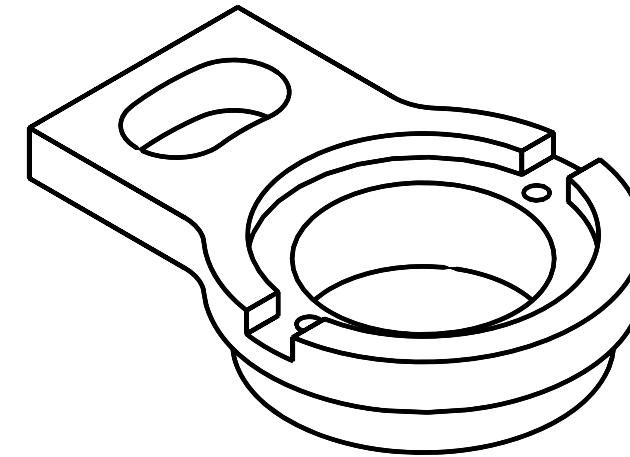
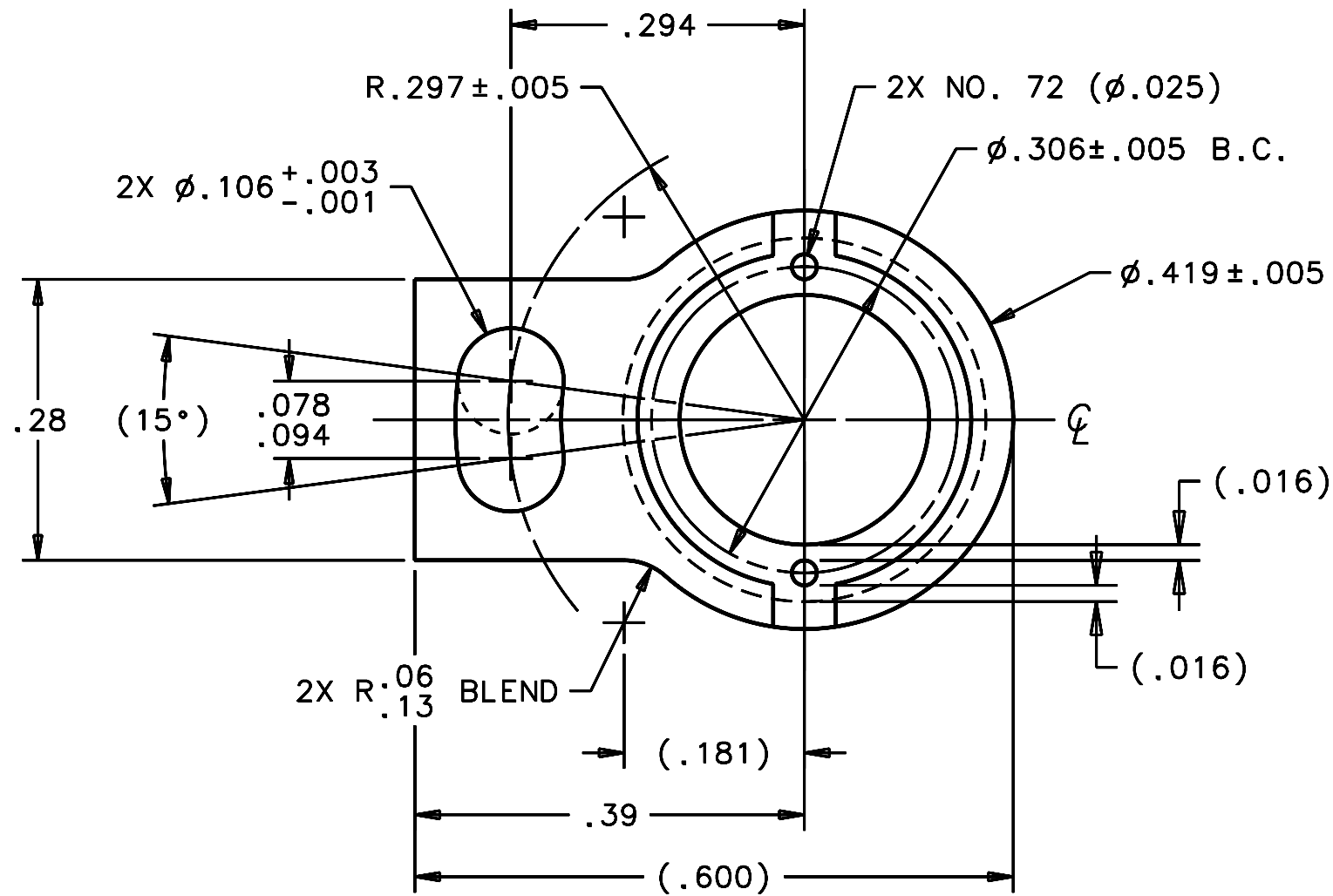
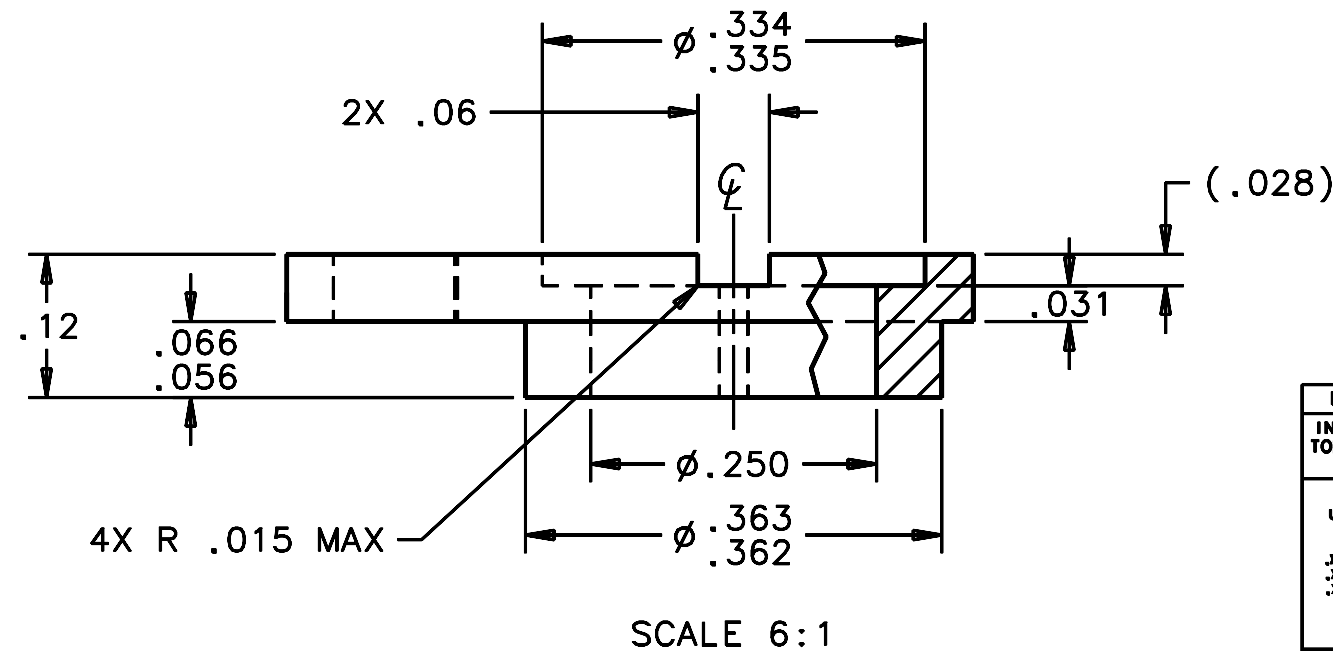


REVISIONS			
LTR	DESCRIPTION	DATE	APPROVED
A	INITIAL RELEASE	09/27/12	DKIMINKI



NOTES: UNLESS OTHERWISE SPECIFIED

1. BREAK SHARP EDGES & DEBURR.
2. MACHINED SURFACE FINISH TO BE 63 RMS OR BETTER.
3. MACHINED FILLETS TO BE R.005 MAX.
4. ANODIZE PER MIL-A-8625, TYPE II, CLASS 2, BLACK.
5. DIMENSIONS ARE BEFORE ANODIZING.



DO NOT SCALE DRAWING INTERPRET DIMENSIONS AND TOLERANCES IN ACCORDANCE WITH ASME Y14.5M-94	THIS DRAWING CREATED IN:			Steward Observatory, University of Arizona 933 N. Cherry Avenue, Tucson, AZ 85721 (520)621-7659			
	ACAD	MECH	IDEAS	DESIGNED BY:	DATE:	CATEGORY:	
TOLERANCES UNLESS OTHERWISE SPECIFIED LINEAR ANGULAR I - NA II - .01 III - .005 DIAMETRICAL SEE SPEC S-002	<input type="checkbox"/>	<input type="checkbox"/>	<input checked="" type="checkbox"/>	RNAGY	09/26/12	MMT	
				DRAWN BY:	09/26/12	PROJECT:	MAESTRO
DIMENSIONS ARE IN INCHES / DIMENSIONS IN 1 ARE METRIC				CHECKED BY:	09/27/12	TITLE:	INJECTION OPTICS SLIT DISK CARRIAGE DISK HOLDER
				RNAGY/DKIMINKI			
MATERIAL 6061-T6 Al				APPROVED:			
				DKIMINKI	09/27/12		
FINISH 4				APPROVED:			
ASSEMBLY APPLICATION		CURRENT TIME/DATE/FILE LOCATION: -		PLOT SIZE	SCALE:	DRAWING NUMBER:	REVISION:
		DRAWING ARCHIVE LOCATION: http://devinci.cs.arizona.edu/ocod/default.html		B	SEE VIEWS	22947	A