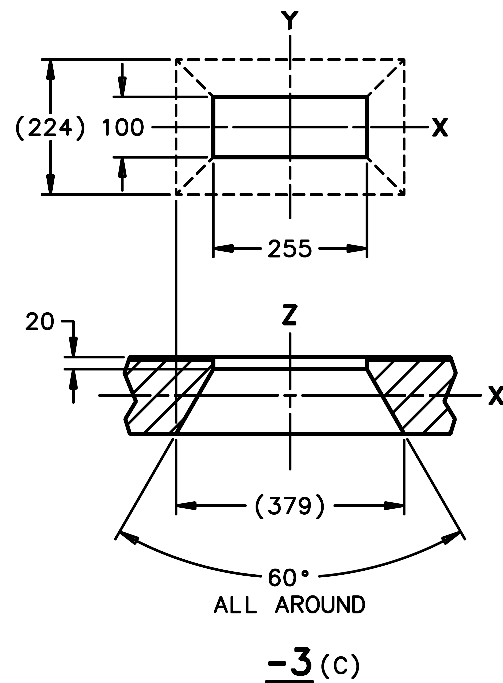
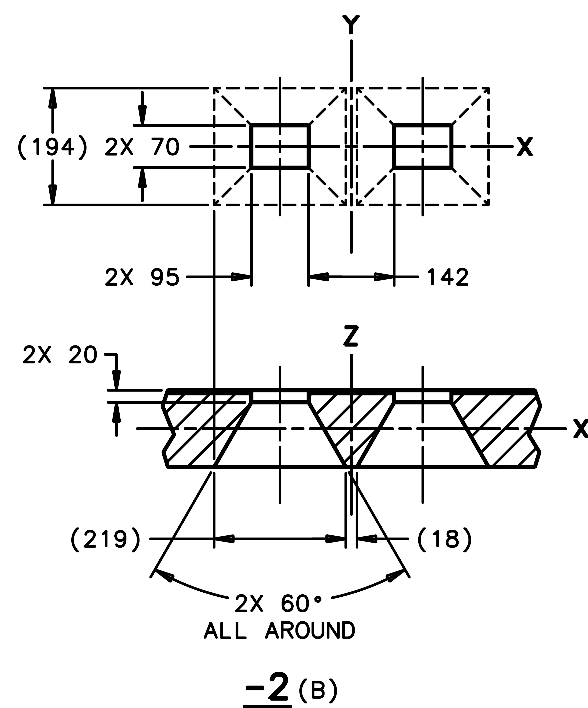
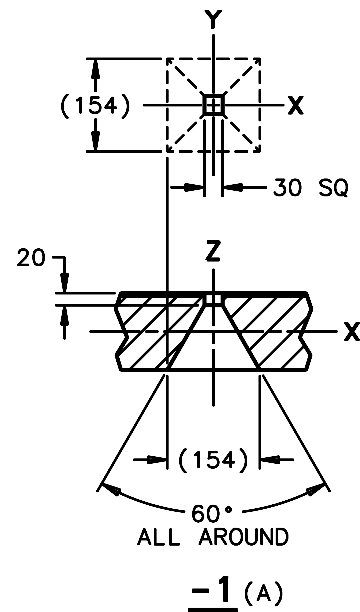
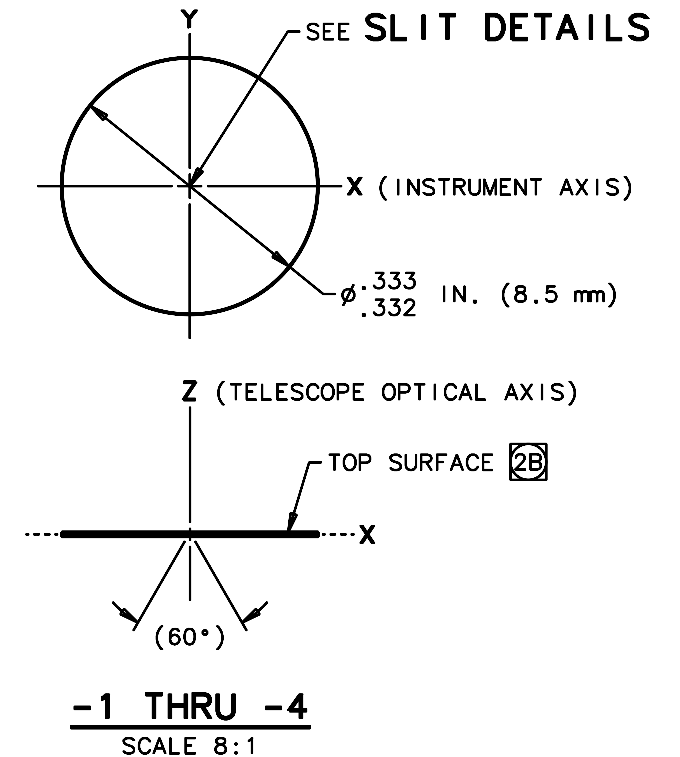
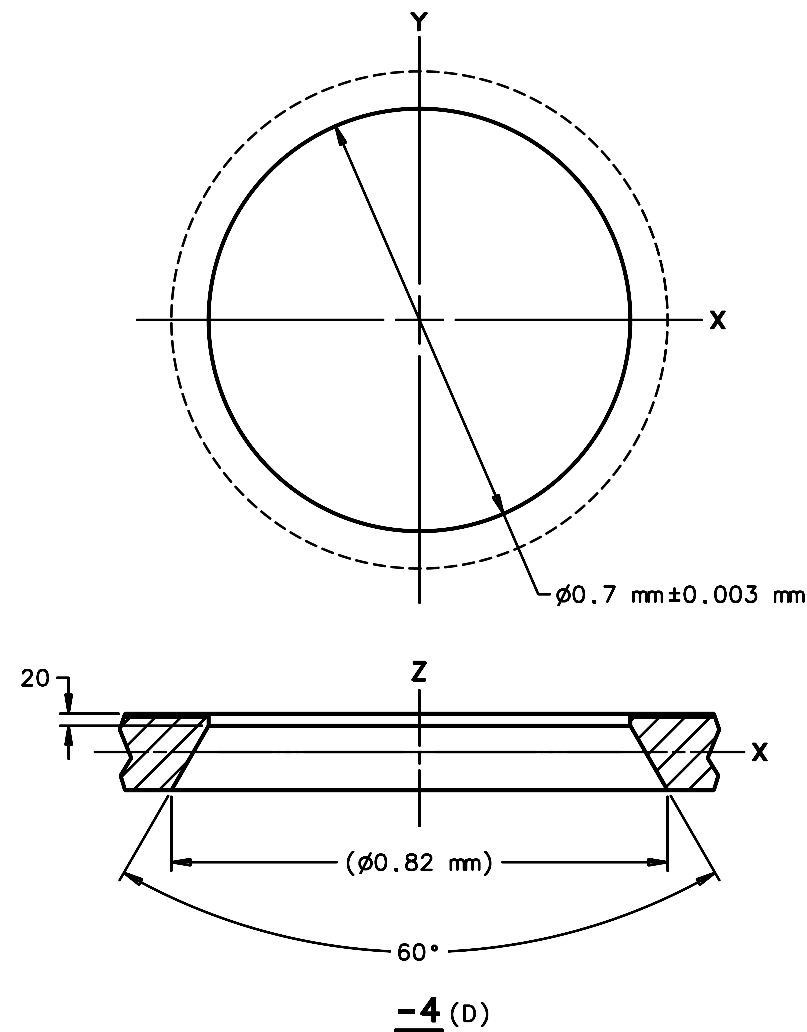


REVISIONS				
LTR	DESCRIPTION	DATE	REVISED BY	APPROVED
A	INITIAL RELEASE	09/26/12	-	DKIMINKI



SLIT DETAILS 2C
SCALE 160:1



NOTES: FOR ALL DASH NUMBERS

1 DIMENSIONS ARE IN MICROMETERS (um), WITH TOLERANCES OF ±3um, UNLESS OTHERWISE SPECIFIED.

2 SLIT DISK SPECIFICATIONS:

A. MATERIAL: BIMETAL; .005 IN. BERYLLIUM COPPER SUBSTRATE.

B. TOP SURFACE REQUIREMENTS ONLY:

*FINISH: REFLECTIVE Al+SiO₂.

*FLAT WITHIN ±1um.

C. SLITS:

*ALL SLITS ARE THRU HOLES WITH A 60° BEVEL ON BOTTOM SURFACE & ARE TO BE CENTERED ON ALL AXES.

*DOUBLE SLITS (-3) MUST BE PARALLEL TO EACH OTHER WITHIN ±3um.

3. DEBURR EDGES.

X	-	22992-4	SLIT DISK D (1 mm DIA SINGLE)
X	-	22992-3	SLIT DISK C (100um x 255um SINGLE)
X	-	22992-2	SLIT DISK B (70um x 95um DOUBLE)
X	-	22992-1	SLIT DISK A (30um x 30um SINGLE)
-	-	PART NUMBER	PART DESCRIPTION

LIST OF MATERIALS

DO NOT SCALE DRAWING INTERPRET DIMENSIONS AND TOLERANCES IN ACCORDANCE WITH ASME Y14.5M-94		THIS DRAWING CREATED IN: ACAD <input type="checkbox"/> MECH <input type="checkbox"/> IDEAS <input checked="" type="checkbox"/>		Steward Observatory, University of Arizona 933 N. Cherry Avenue, Tucson, AZ 85721 (520)621-7659	
TOLERANCES UNLESS OTHERWISE SPECIFIED LINEAR .XX - NA .XXX - NA ANGULAR .1° - .5°		DESIGNED BY: DKIMINKI	DATE: 09/25/12	CATEGORY: MMT	
DIAMETRICAL SEE SPEC S-002		DRAWN BY: RNAGY	09/25/12	PROJECT: MAESTRO	
MATERIAL		CHECKED BY: RNAGY/DKIMINKI	09/26/12	TITLE: INJECTION OPTICS SLIT DISK CARRIAGE DISK DETAILS	
2A		APPROVED BY: DKIMINKI	09/26/12	PLOT SIZE SCALE: D SEE VIEWS	
FINISH 2B		APPROVED:		DRAWING NUMBER: 22992	
ASSEMBLY APPLICATION		APPROVED:		REVISION: A	
CURRENT TIME/DATE/FILE LOCATION: -		DRAWING ARCHIVE LOCATION: http://dovinci.as.arizona.edu/ccad/default.html		SHEET 1 OF 1	