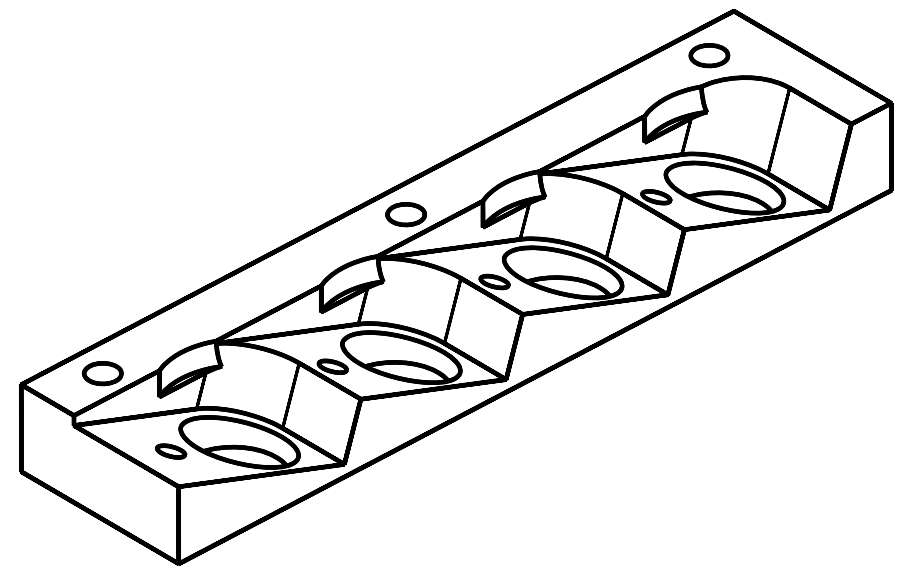
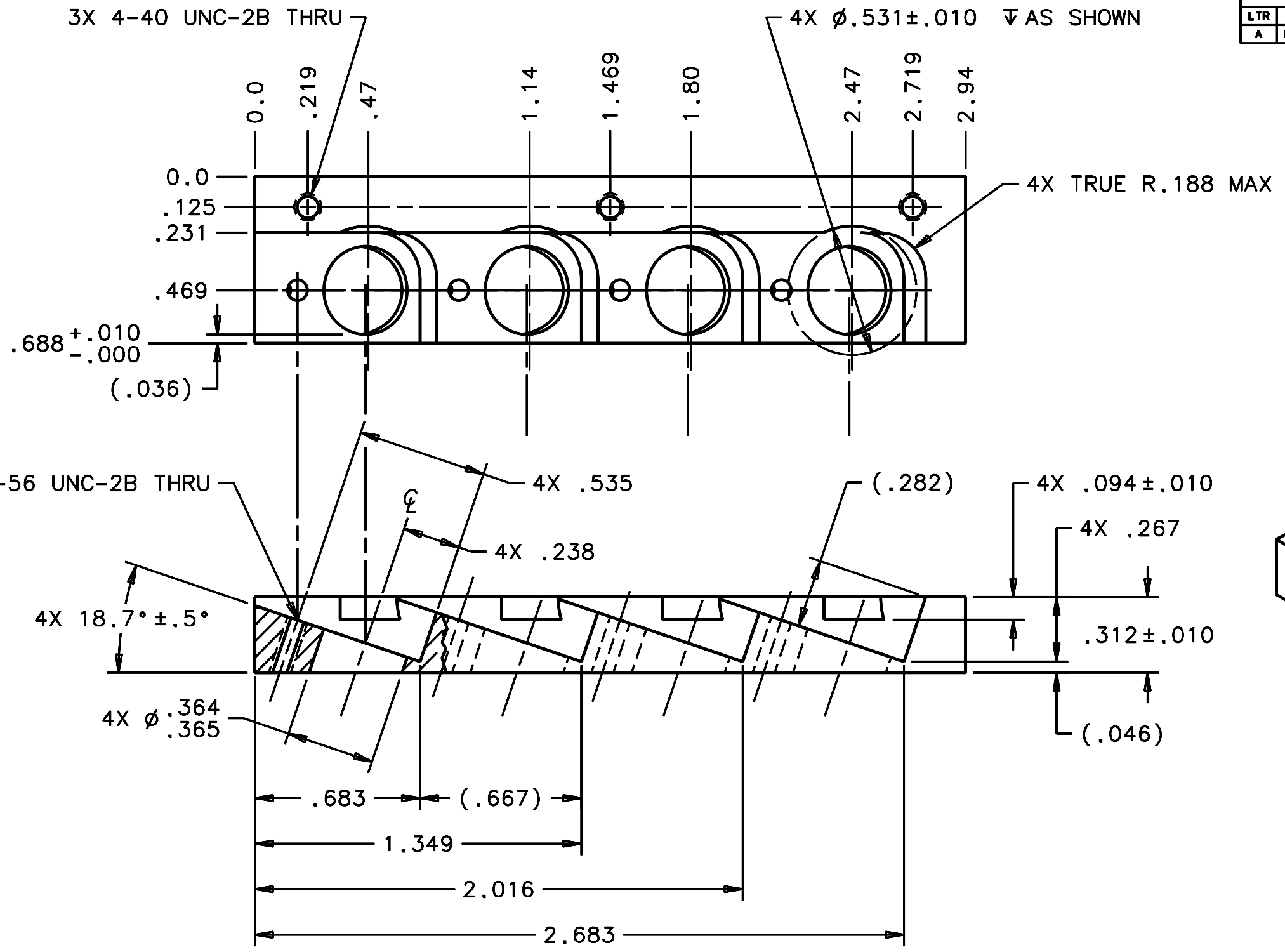


REVISIONS			
LTR	DESCRIPTION	DATE	APPROVED
A	INITIAL RELEASE	09/27/12	MRASCON



- NOTES: UNLESS OTHERWISE SPECIFIED
- BREAK SHARP EDGES & DEBURR.
 - MACHINED SURFACE FINISH TO BE 63 RMS OR BETTER.
 - MACHINED FILLETS TO BE R.010 MAX.
 - ANODIZE PER MIL-A-8625, TYPE II, CLASS 2, BLACK.
 - DIMENSIONS ARE BEFORE ANODIZING.

DO NOT SCALE DRAWING INTERPRET DIMENSIONS AND TOLERANCES IN ACCORDANCE WITH ASME Y14.5M-94	THIS DRAWING CREATED IN: ACAD <input type="checkbox"/> MECH <input type="checkbox"/> IDEAS <input checked="" type="checkbox"/>	Steward Observatory, University of Arizona 933 N. Cherry Avenue, Tucson, AZ 85721 (520)621-7659	
TOLERANCES UNLESS OTHERWISE SPECIFIED LINEAR .X - MA .XX - .02 .XXX - .005 ANGULAR ±1° DIAMETRICAL SEE SPEC S-002	DESIGNED BY: RNAGY/MRASCON DATE: 09/26/12 CATEGORY: MMT	PROJECT: MAESTRO	
MATERIAL 6061-T6 A1	DRAWN BY: RNAGY CHECKED BY: RNAGY/MRASCON APPROVED: MRASCON	DATE: 09/26/12 09/27/12 09/27/12	TITLE: INJECTION OPTICS SLIT DISK CARRIAGE DISK CARTRIDGE MOUNT
FINISH 4	23001 MAESTRO NEXT ASSY USED ON	APPROVED:	PLOT SIZE SCALE: B SEE VIEWS DRAWING NUMBER: 22945 REVISION: A
ASSEMBLY APPLICATION	CURRENT TIME/DATE/FILE LOCATION: - DRAWING ARCHIVE LOCATION: http://devinci.cs.arizona.edu/ocod/default.html		SHEET 1 OF 1